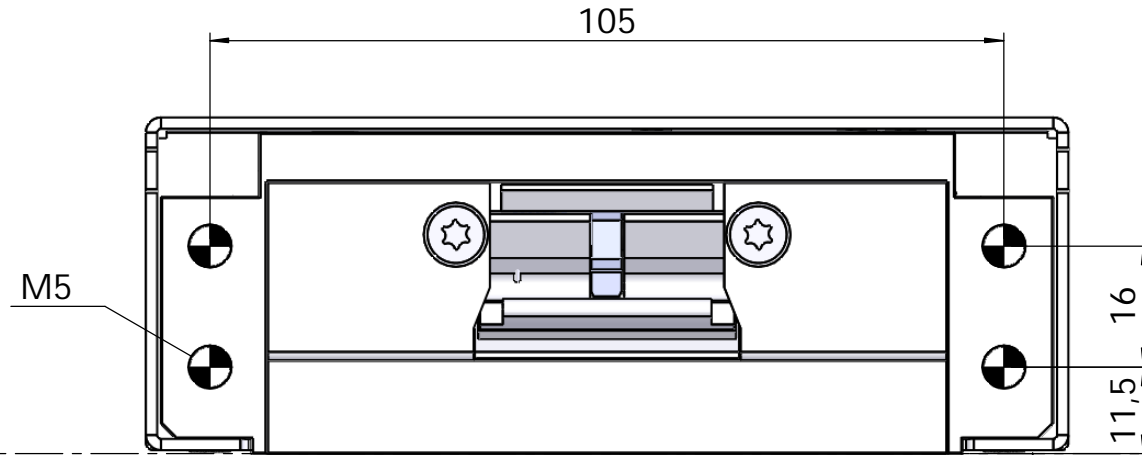
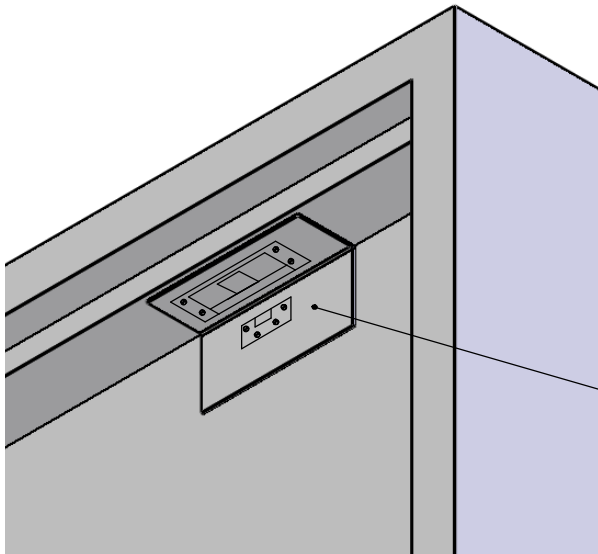
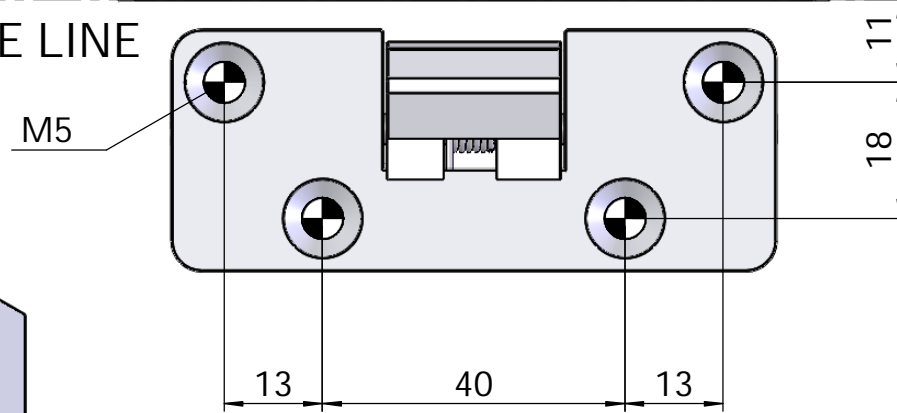


DRILL TEMPLATE STEP 8



STEP 1: FOLD ALONG THE LINE



STEP 2: CLOSE THE DOOR AND PLACE THE DRILL TEMPLATE ON THE DOOR LEAF, TOWARDS THE DOOR FRAME

STEP 3: MARK THE HOLES