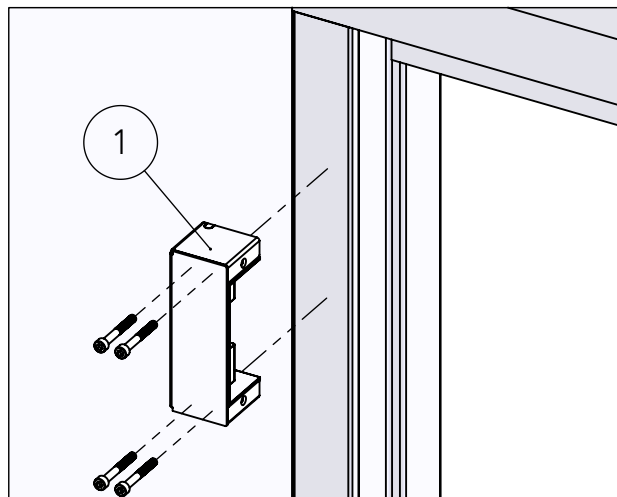
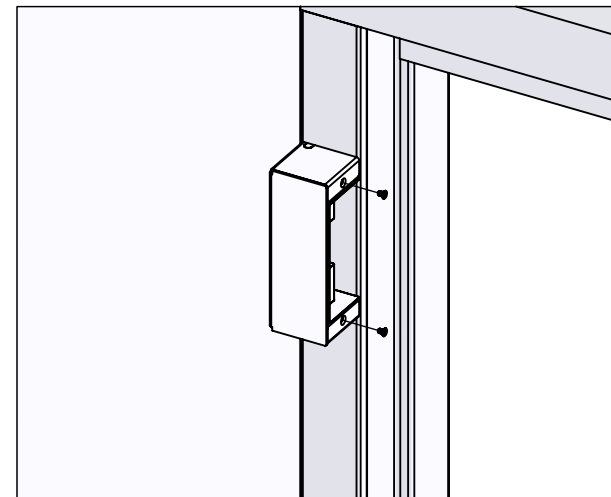
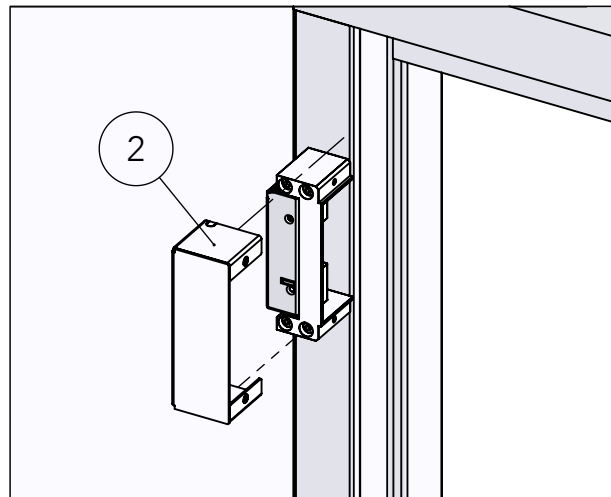


This document must not be copied without owners written allowance and its content must not be exposed for third part nor be used for unauthorized purpose.

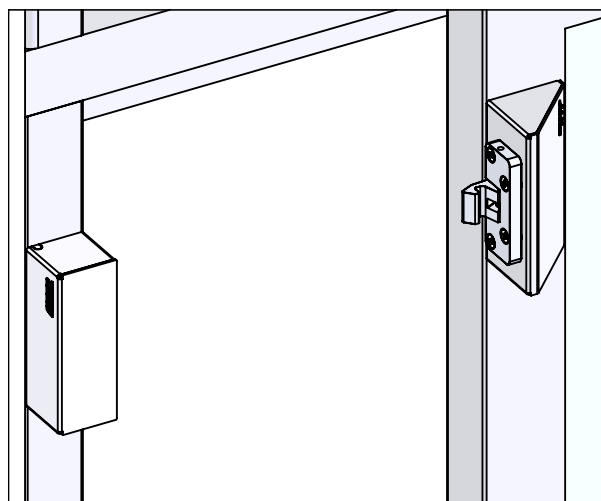
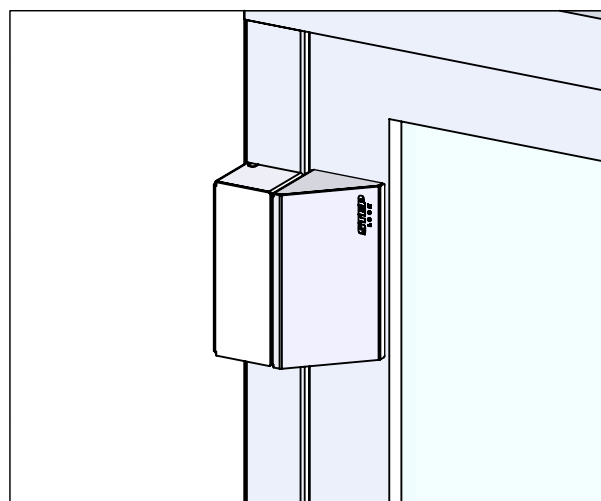
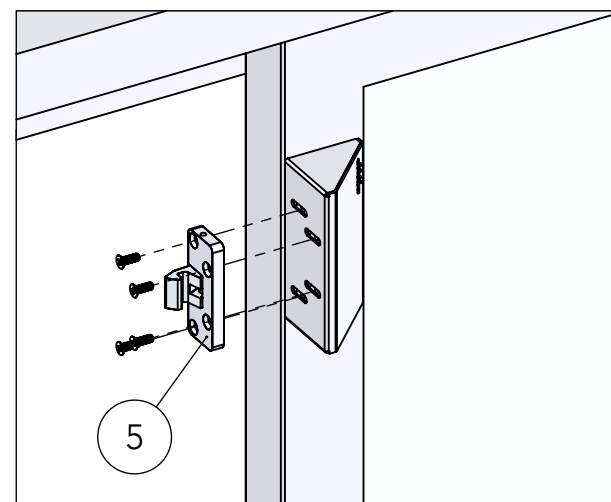
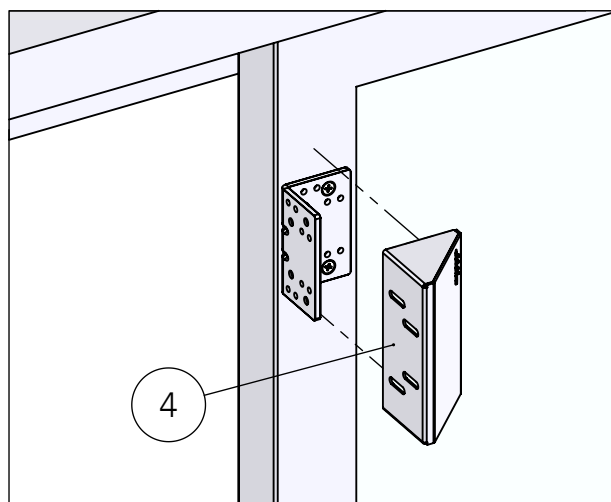
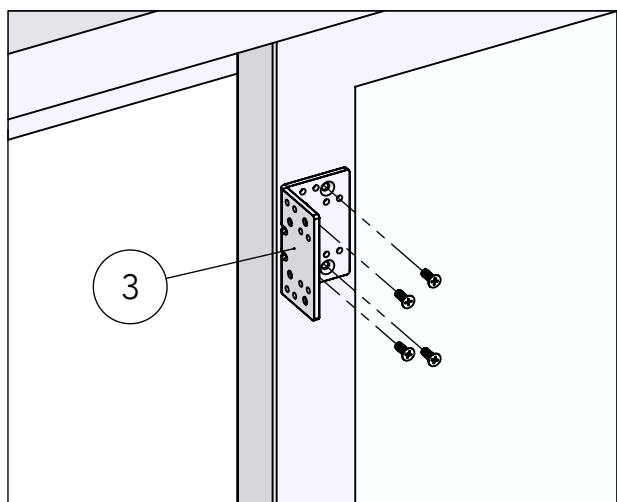
Skruva fast pos. 1 i karmen




Skruva fast pos 2



När pos. 5 skruvas fast så klämms samtidigt pos. 4 fast



Material		Surface finish		
Designed by	Checked by	Approved - date 2019-04-25	General tolerance SS-ISO 2768-1 m	Viewing  Scale 1:20
Owner		Title/Description		
Stendals El AB		Drawing no	Weight	Revision
				Sheet