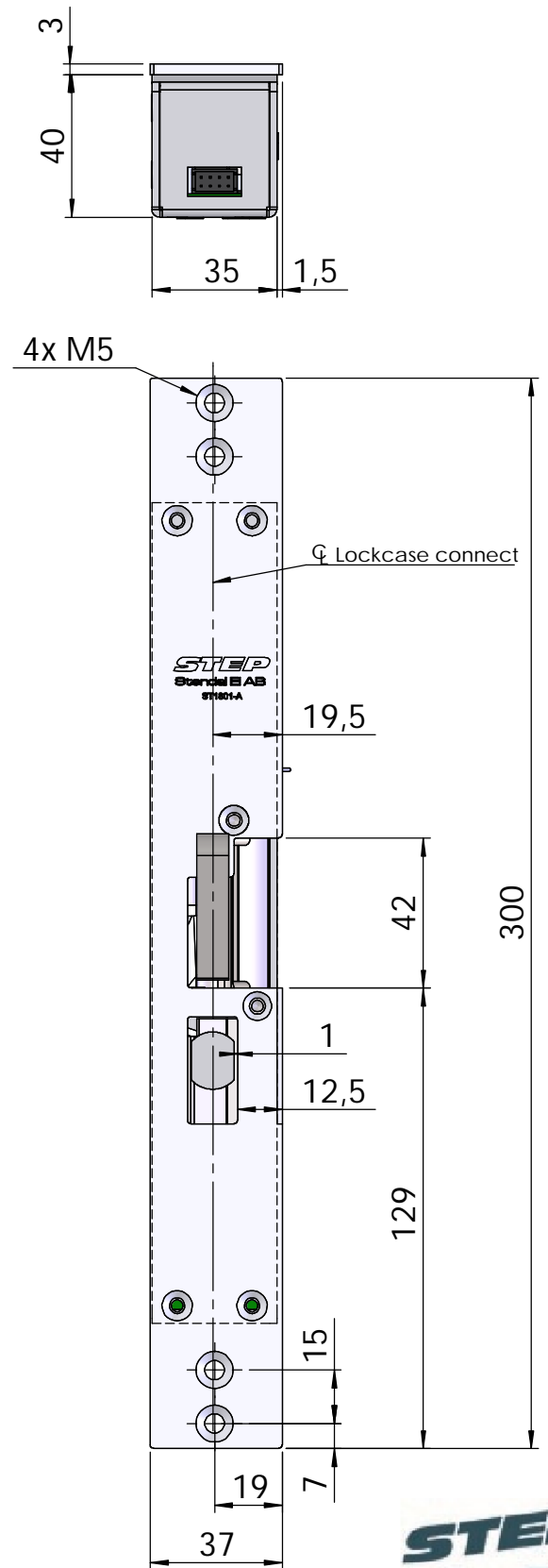
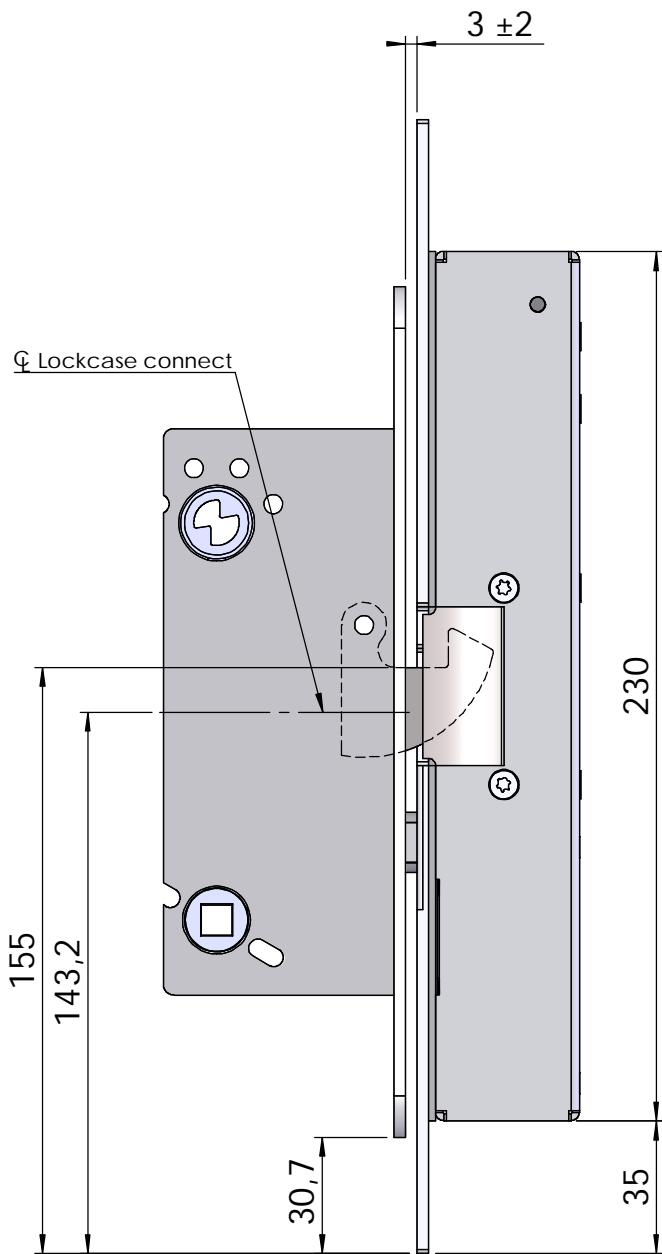




Montering för Connect



This document shall not be copied without owners written allowance and its content shall not be exposed for third part nor be used for unauthorized purpose.

Owner
Stendals EI AB

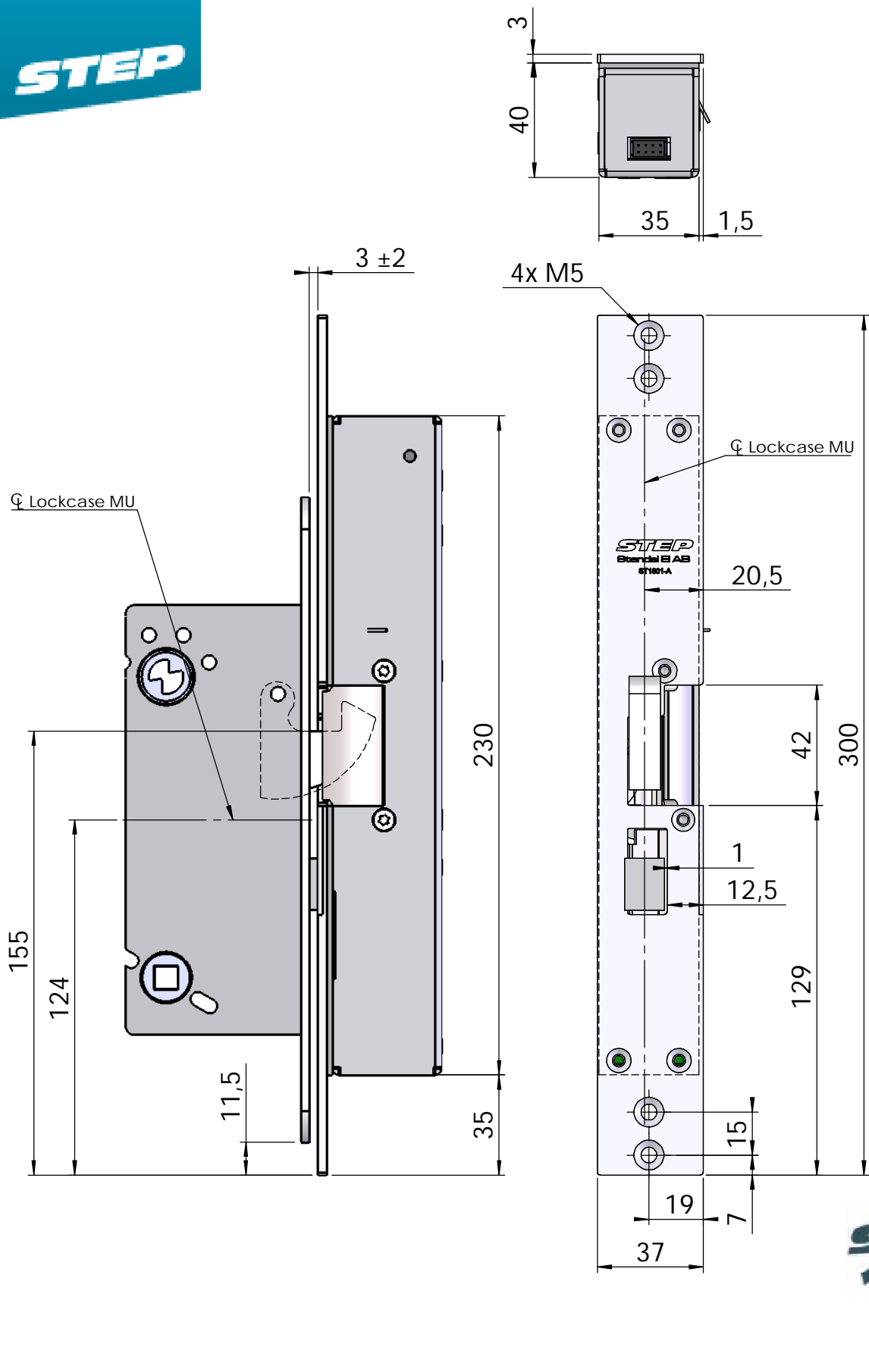
Title/Description
Plan stolpe för Wicone 65 evo vänster plös 12,5mm
Montering för Connect

Drawing no. **ST1801-A**

Scale
1:2



Montering för Møller Undall



This document shall not be copied without owners written allowance and its content shall not be exposed for third part nor be used for unauthorized purpose.

Owner
Stendals EI AB

Title/Description
Plan stolpe för Wicone 65 evo vänster plös 12,5mm
Montering för Møller Undall

Drawing no. **ST1801-A**

Scale
1:2