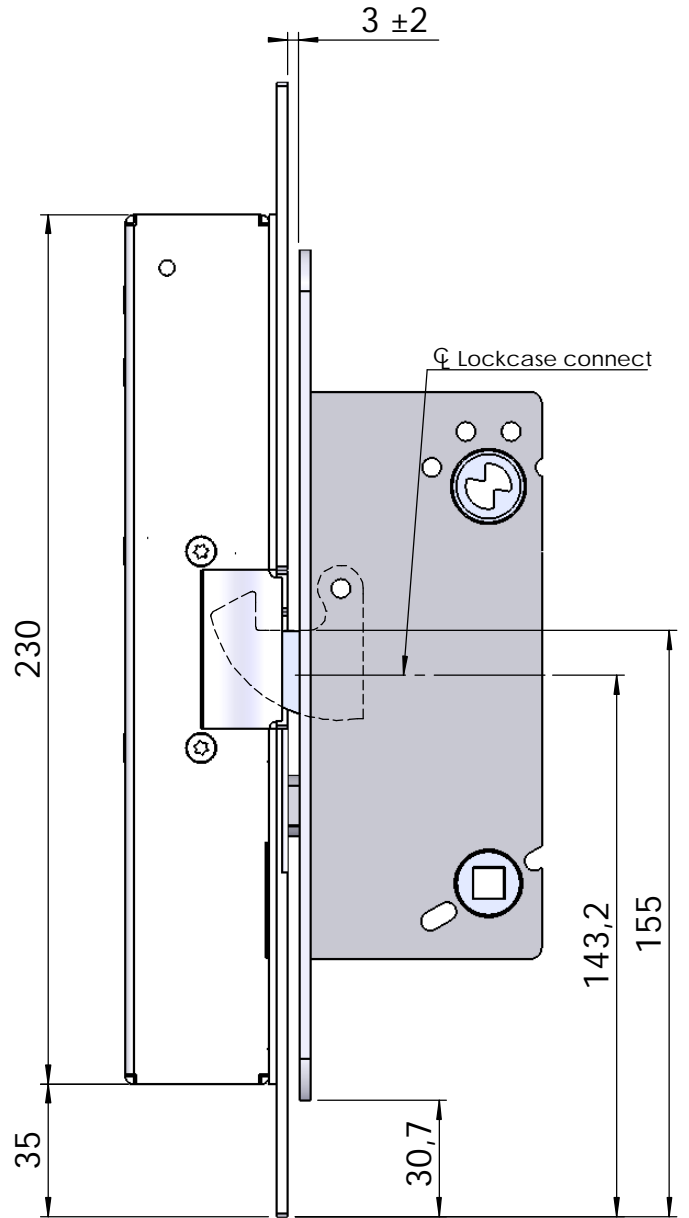
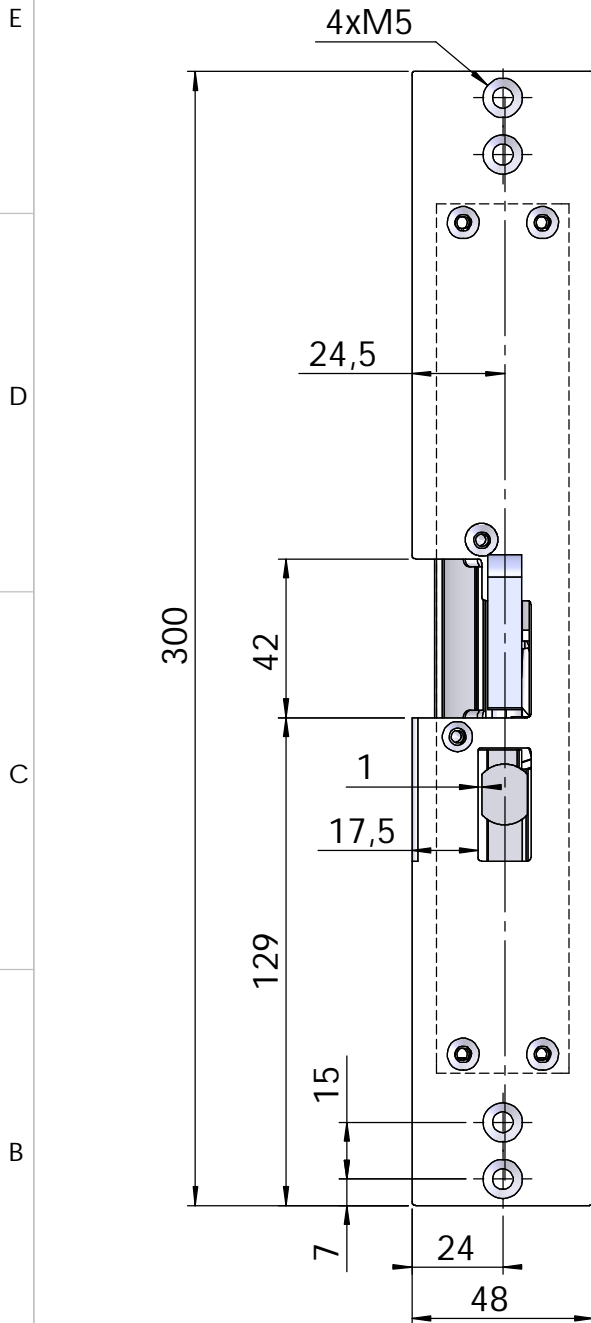
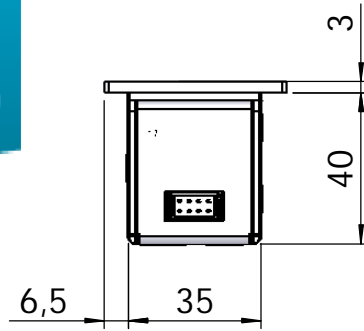




Montering för Connect



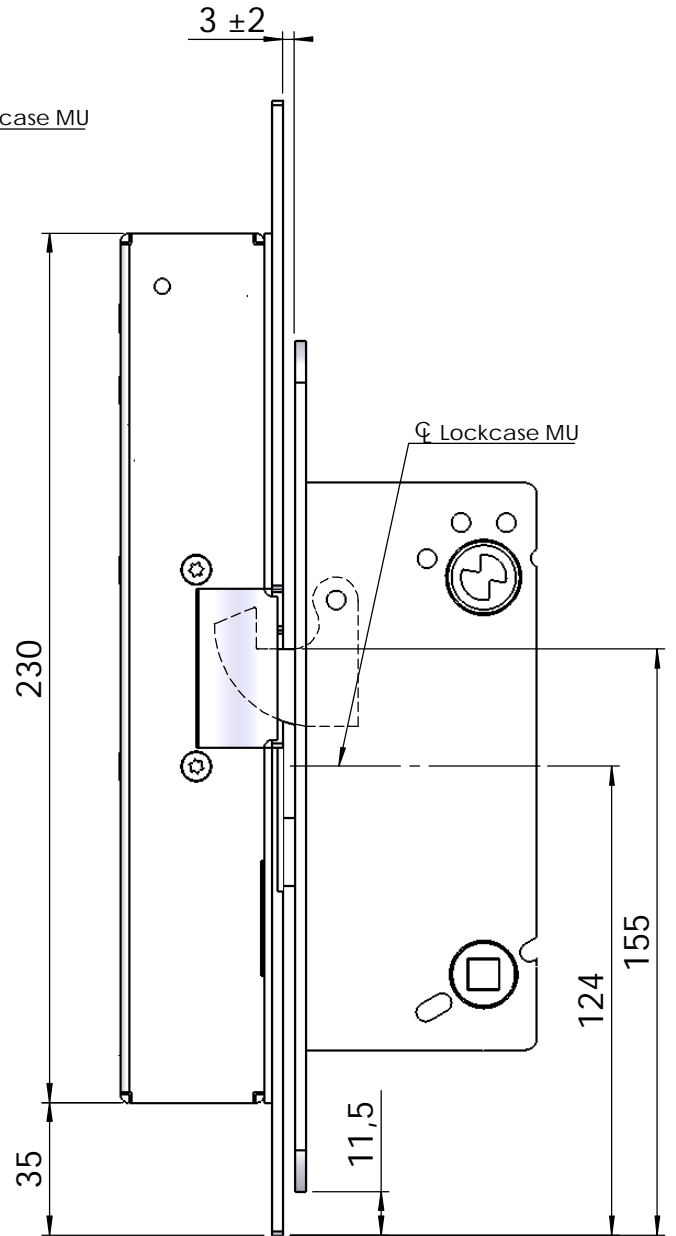
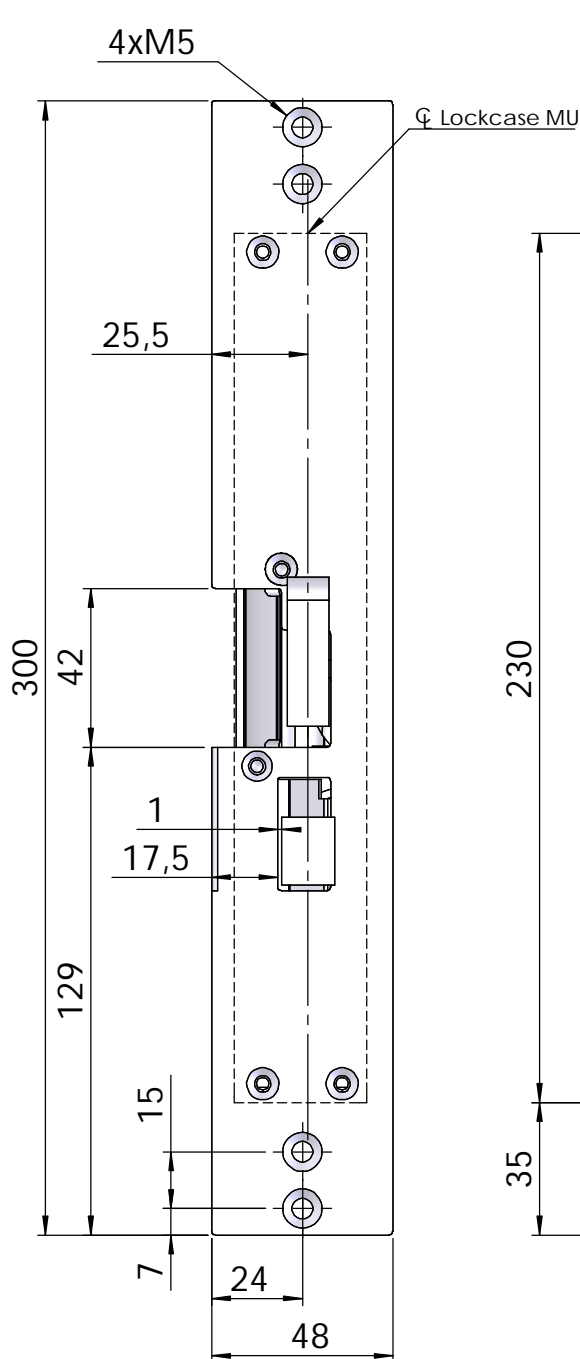
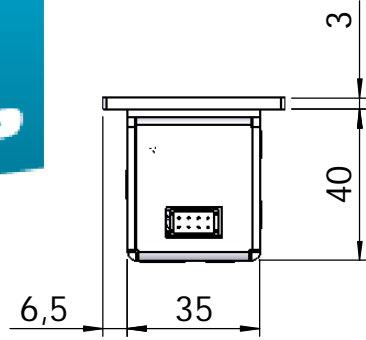
STEP 18

This document shall not be copied without owners written allowance and its content shall not be exposed for third part nor be used for unauthorized purpose.

Owner Stendals EI AB	Title/Description Plan stolpe för Wicona 75 evo höger plös 17,5mm Montering för Connect Drawing no. ST1802-B Scale 1:2
--------------------------------	-----------------------------------------------------------------------------------------------------------------------------------------------------



Montering för Møller Undall



STEP
18

This document shall not be copied without owners written allowance and its content shall not be exposed for third part nor be used for unauthorized purpose.

Owner

Stendals EI AB

Title/Description

Plan stolpe för Wicona 75 evo höger plös 17,5mm
Montering för Møller Undall

Drawing no.

ST1802-B

Scale

1:2