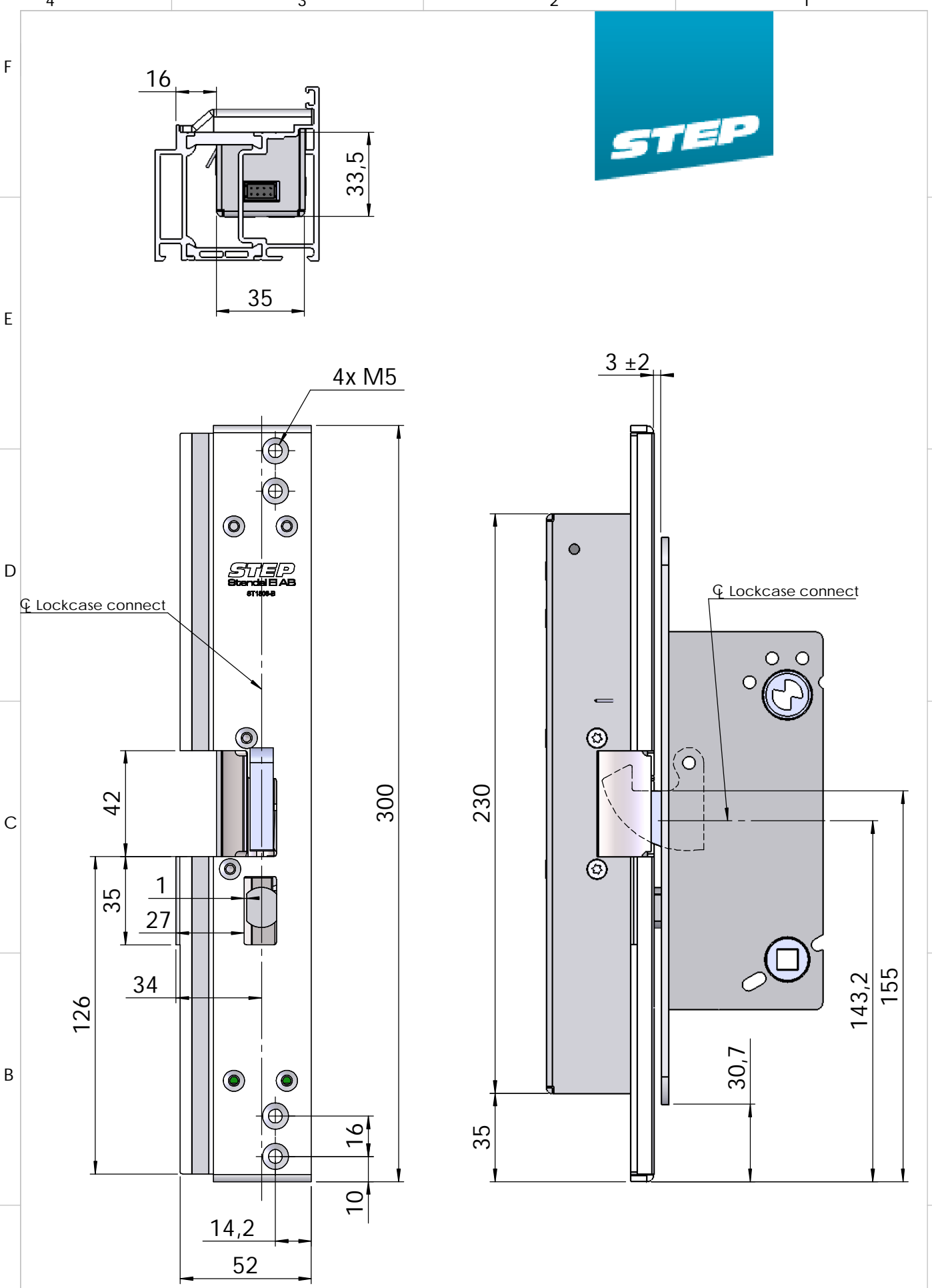


This document shall not be copied without owners written allowance and its content shall not be exposed for third part nor be used for unauthorized purpose.



Designed by	Checked by	Material	General tolerance SS-ISO2768-1m	Viewing	Scale 1:2
Owner Stendals EI AB		Title/Description Stolpe Step 18 Schucko ADS 65HD plös 27			
Drawing no. ST1806-B			Revision	Sheet	