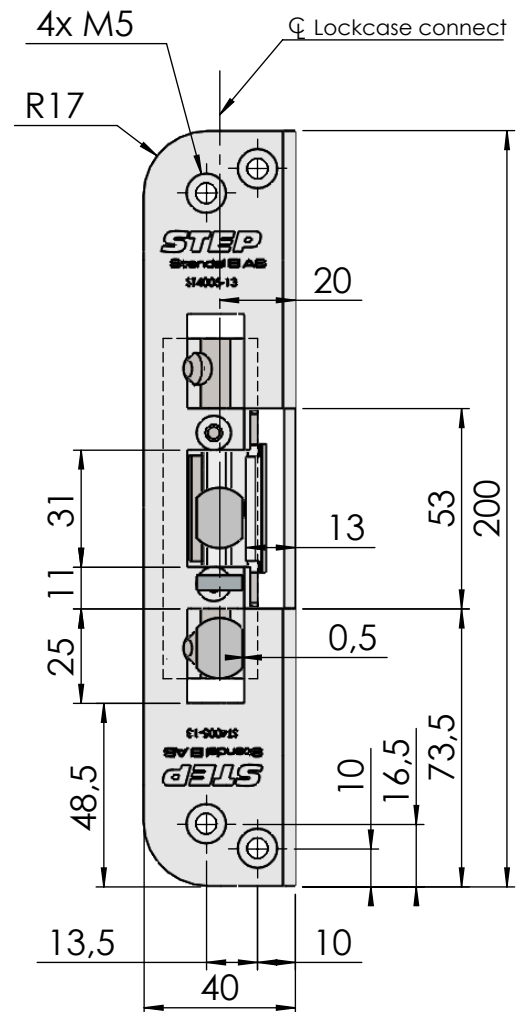
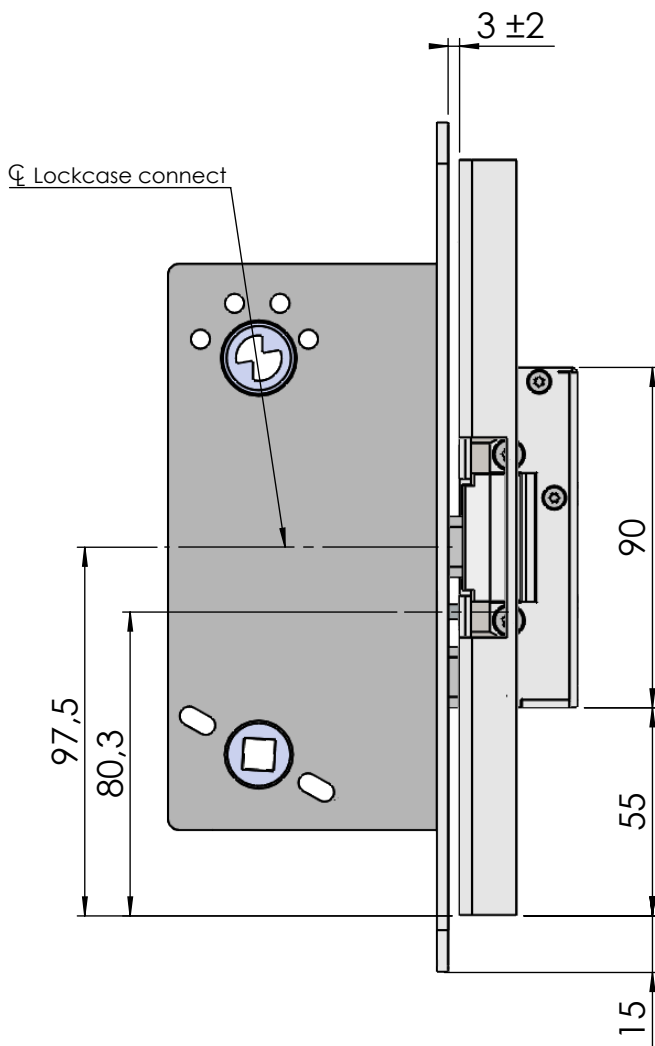
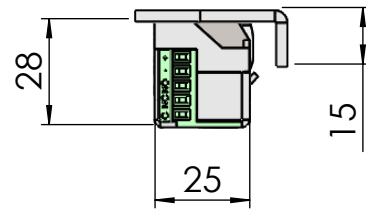




# Montering för Connect

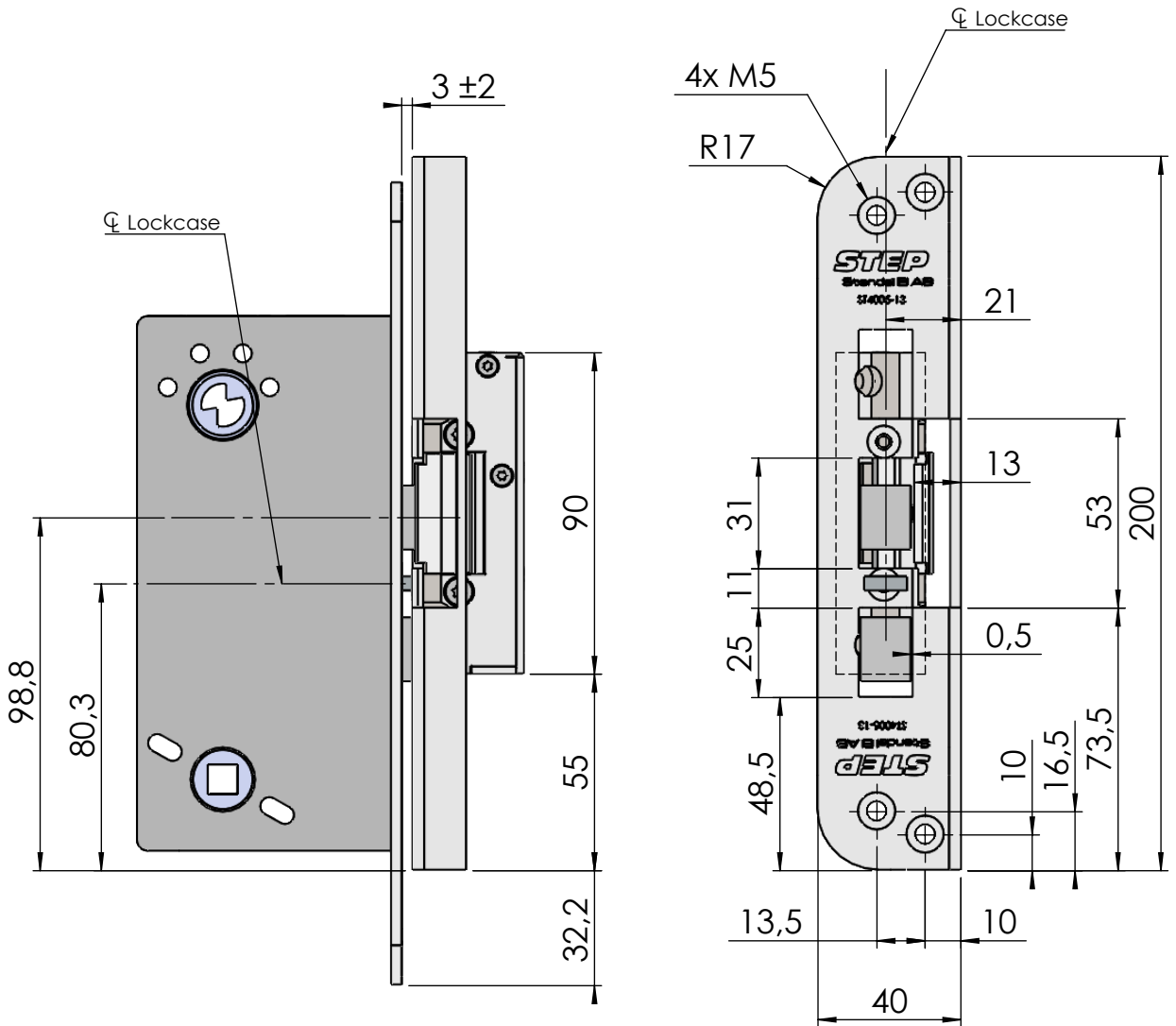
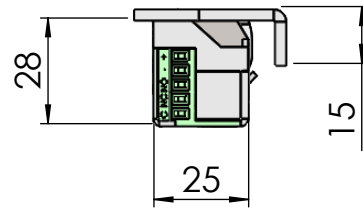


This document shall not be copied without owners written allowance and its content shall not be exposed for third part nor be used for unauthorized purpose.

Owner <b>Stendals EI AB</b>	Title/Description STEP 40 med vinklad stolpe plös 13mm Montering för Connect Drawing no. <b>ST4005-13</b> Scale <b>1:2</b>
--------------------------------	---



# Montering för Modul



This document shall not be copied without owners written allowance and its content shall not be exposed for third part nor be used for unauthorized purpose.

Owner <b>Stendals EI AB</b>	Title/Description <b>STEP 40 med vinklad stolpe plös 13mm Montering för Modul</b>
Drawing no. <b>ST4005-13</b>	Scale <b>1:2</b>