



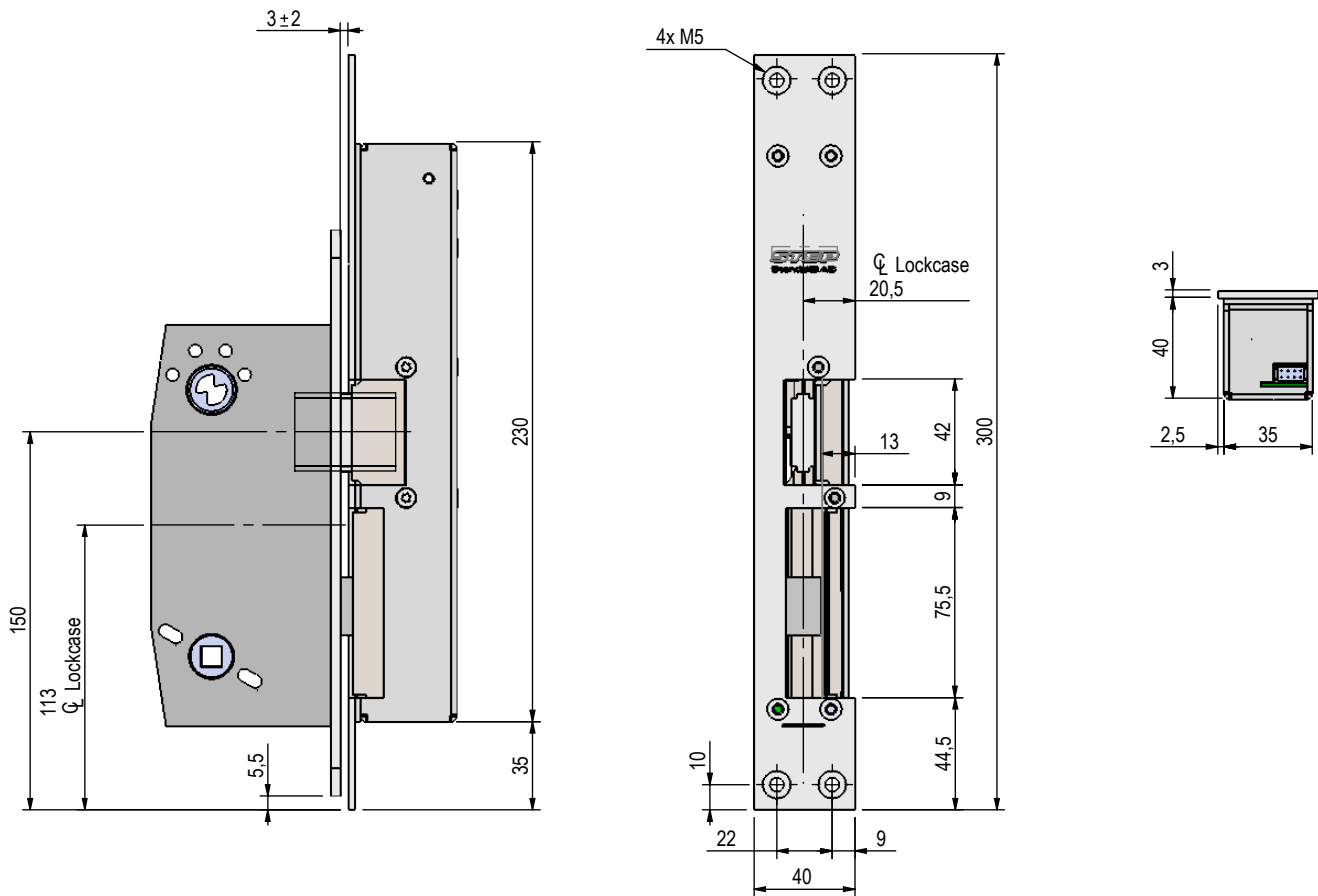
# ST285-A

Flat faceplate 300x40 Left  
Lip width 13 mm

Scale  
1:3

STEP 28E Secure

ASSA Fas 981



STEP 28E Secure

ASSA Modular

