



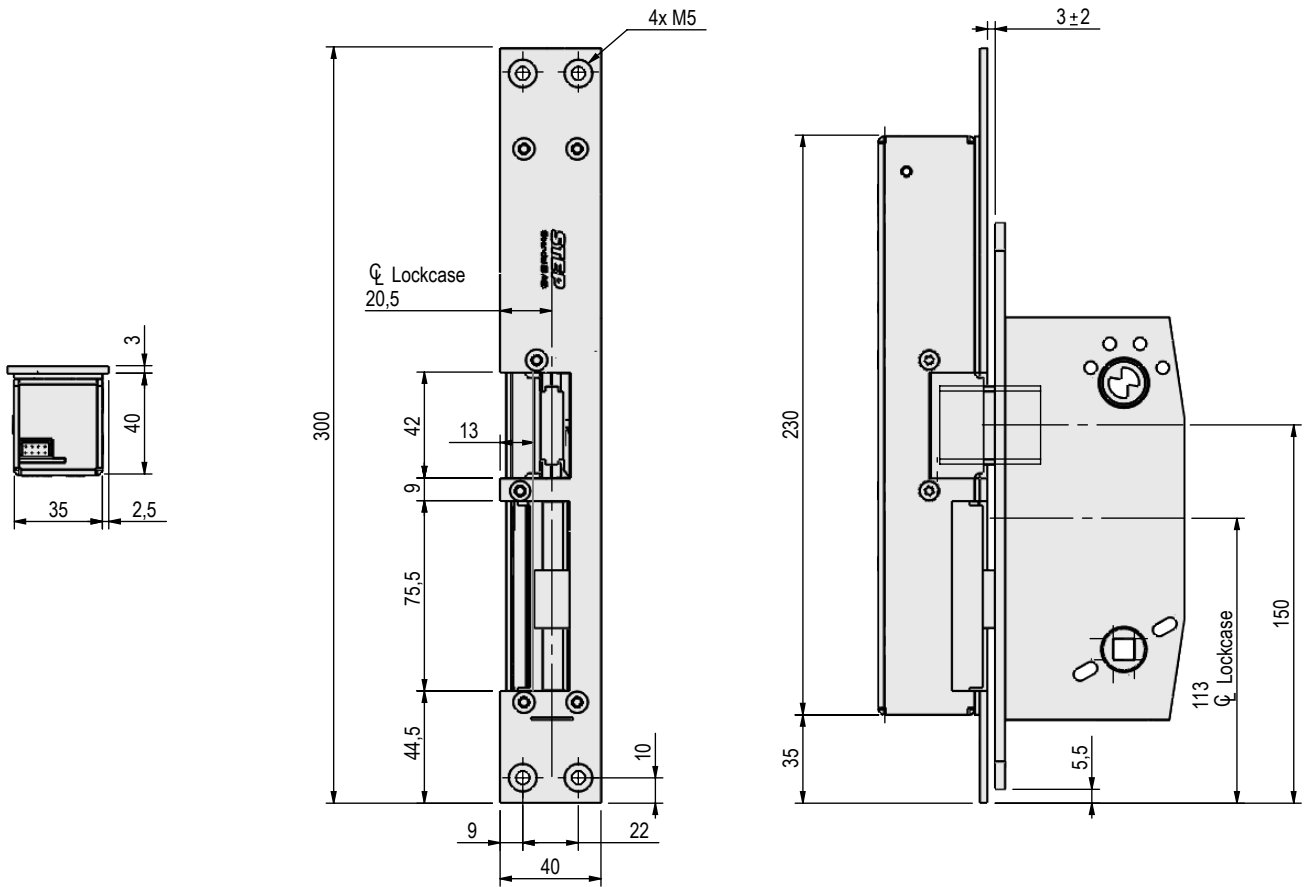
ST285-B

Flat faceplate 300x40 Right
Lip width 13 mm

Scale
1:3

STEP 28E Secure

ASSA Fas 981



STEP 28E Secure

ASSA Modular

