



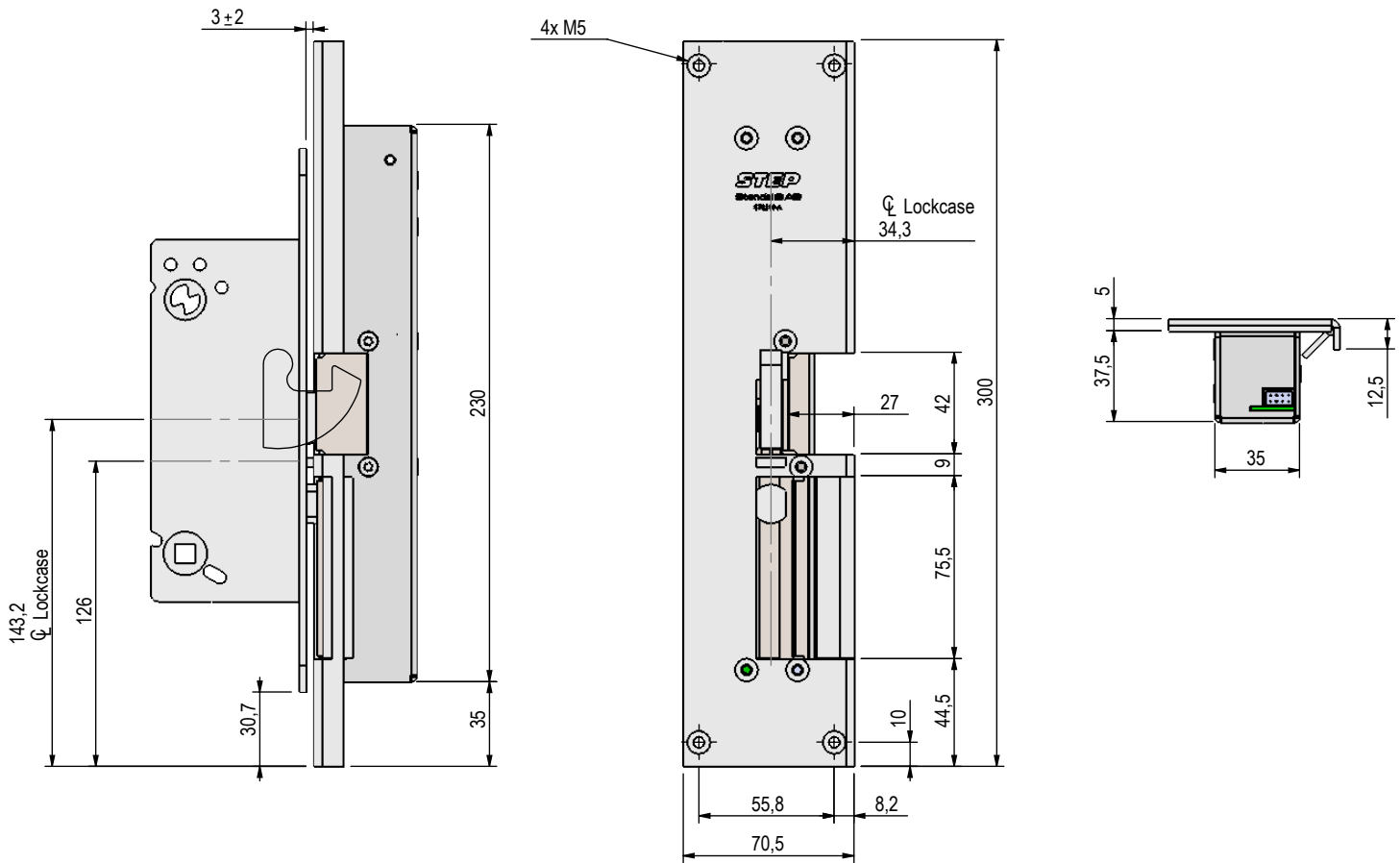
# ST2886-A

Angled faceplate 300x70,5x12,5 Left  
Lip width 27 mm

Scale  
1:3

STEP 28E Secure

ASSA Connect



STEP 28E Secure

ASSA Modular

