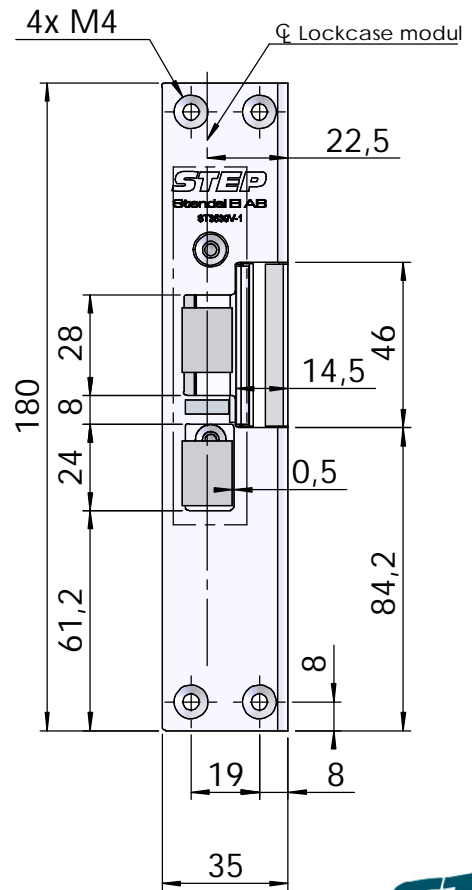
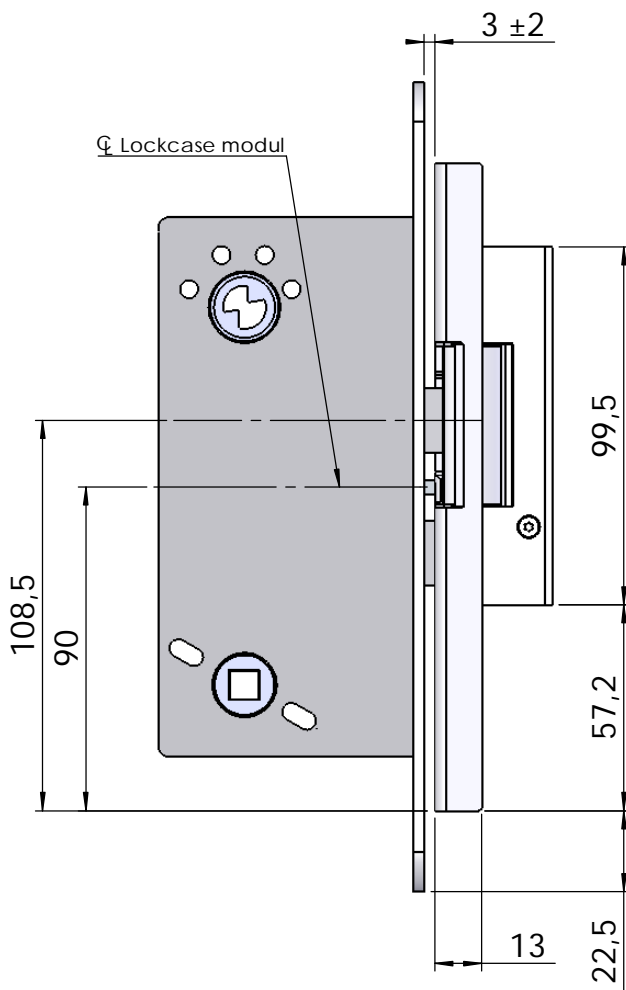
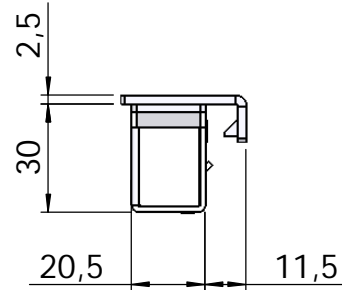




# Montering för Modul



This document shall not be copied without owners written allowance and its content shall not be exposed for third part nor be used for unauthorized purpose.

<p>Owner</p> <h2>Stendals EI AB</h2>	<p>Title/Description</p> <p>Motsvarar 511, Connect till modul, vänster Montering för Modul</p> <p>Drawing no.</p> <p>ST3539V</p> <p>Scale</p> <p>1:2</p>
--------------------------------------	--