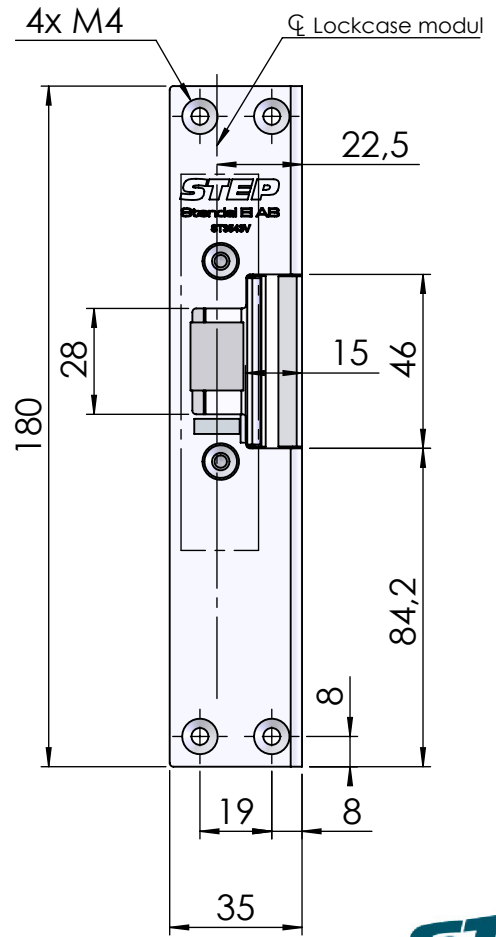
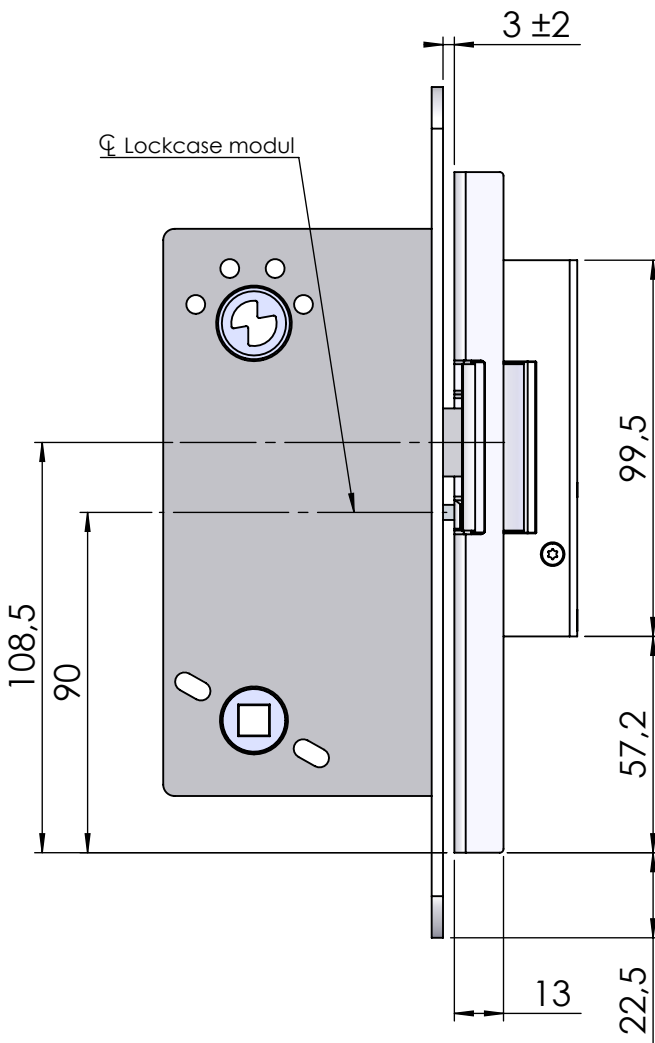
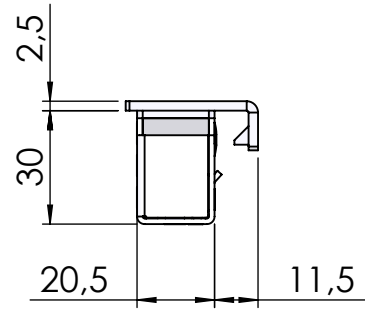


**STEP**  
LOCK

Montering för Modul



This document shall not be copied without owners written allowance and its content shall not be exposed for third part nor be used for unauthorized purpose.

<p>Owner</p> <p><b>Stendals EI AB</b></p>	<p>Title/Description</p> <p>Motsvarar 511, Connect till modul, vänster Montering för Modul</p>
<p>Drawing no.</p> <p><b>ST3543V</b></p>	<p>Scale</p> <p><b>1:2</b></p>

**STEP**  
**30**  
PRELOAD