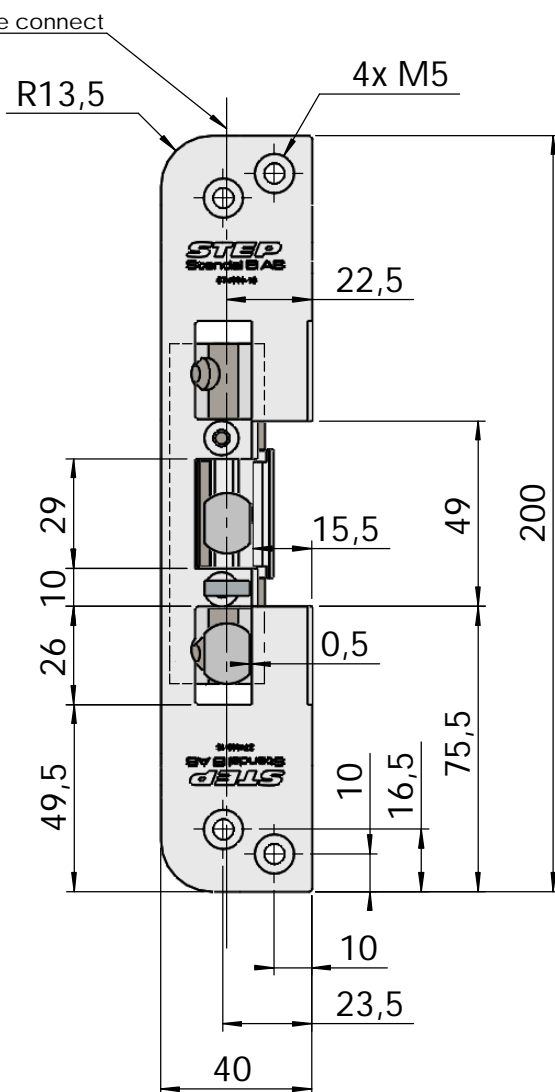
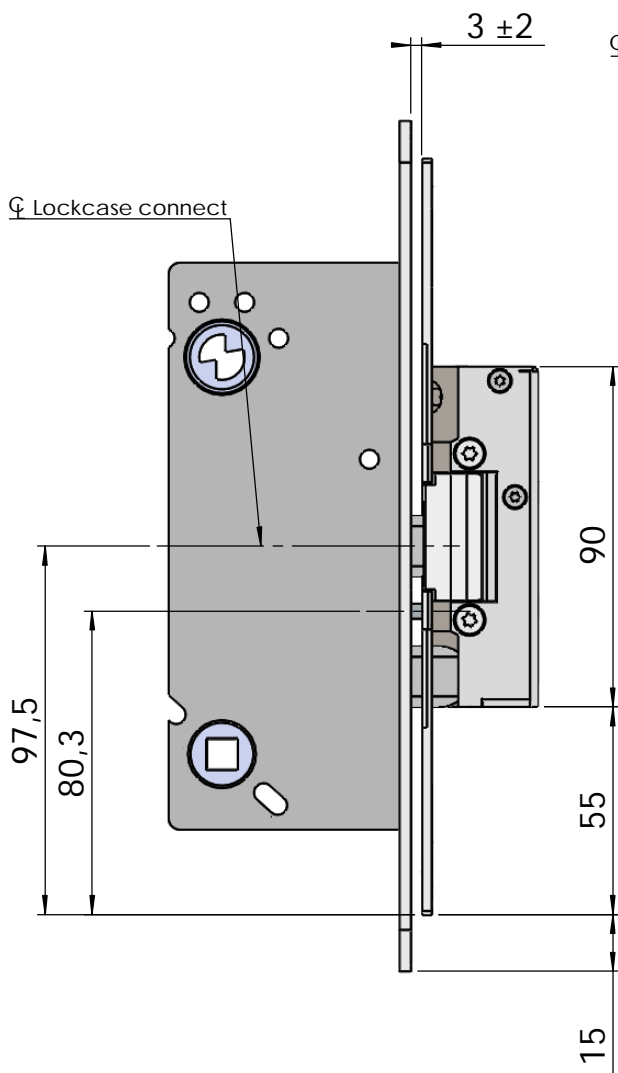
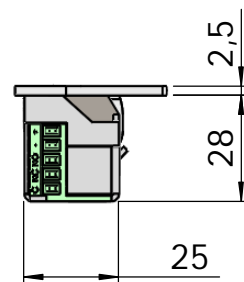




# Montering för Connect



This document shall not be copied without owners written allowance and its content shall not be exposed for third part nor be used for unauthorized purpose.

Owner  
**Stendals EI AB**

Title/Description  
**STEP 40 med plan stolpe plös 16mm  
Montering för Connect**

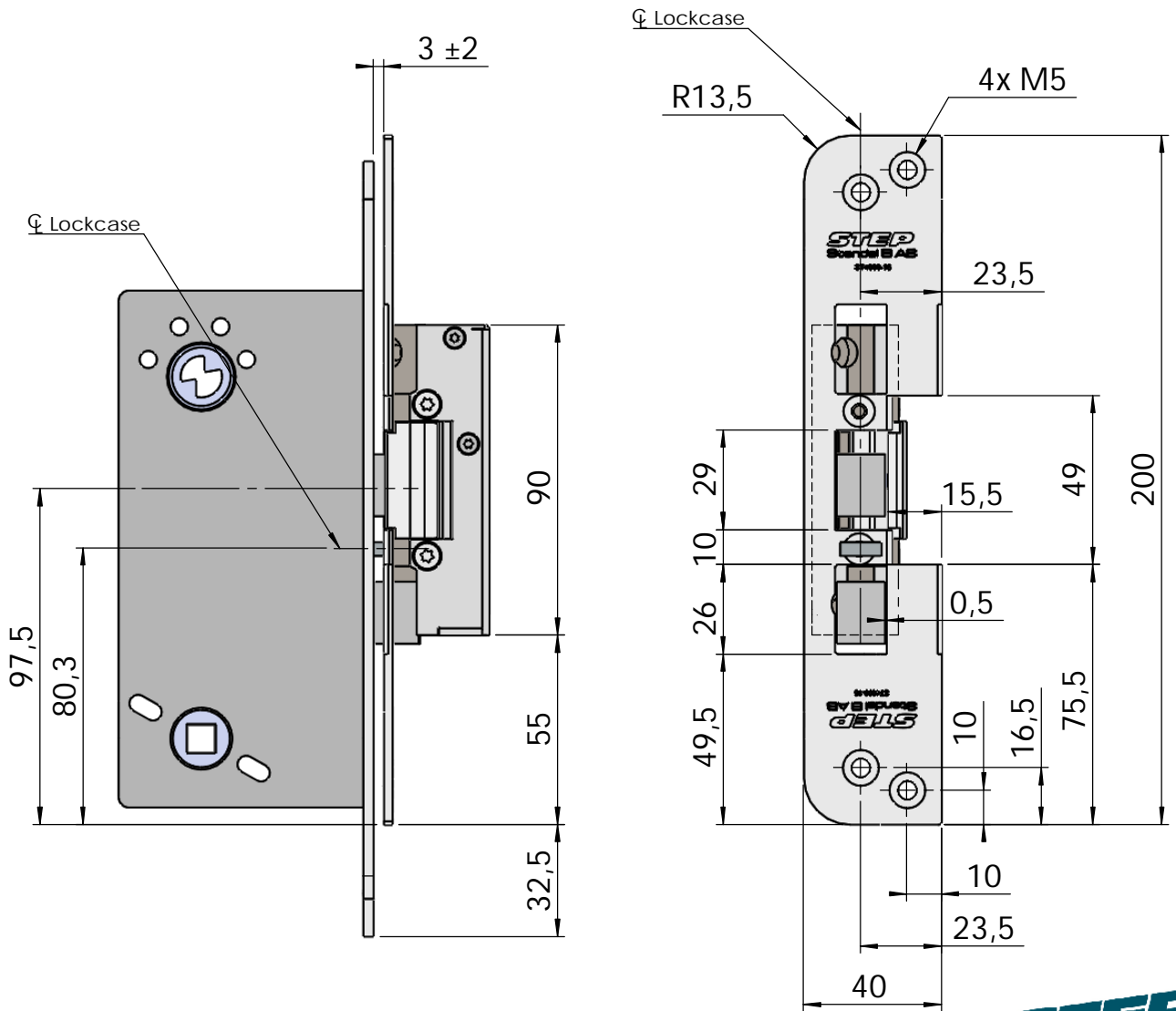
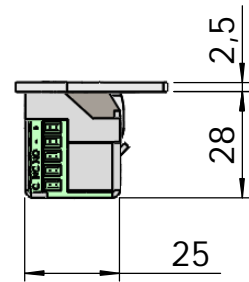
Drawing no. **ST4009-16**

Scale  
**1:2**





# Montering för Modul



This document shall not be copied without owners written allowance and its content shall not be exposed for third part nor be used for unauthorized purpose.

<p>Owner</p> <h2>Stendals EI AB</h2>	<p>Title/Description</p> <h3>STEP 40 med plan stolpe plös 16mm</h3> <h3>Montering för Modul</h3>
	<p>Drawing no. <b>ST4009-16</b></p> <p>Scale <b>1:2</b></p>