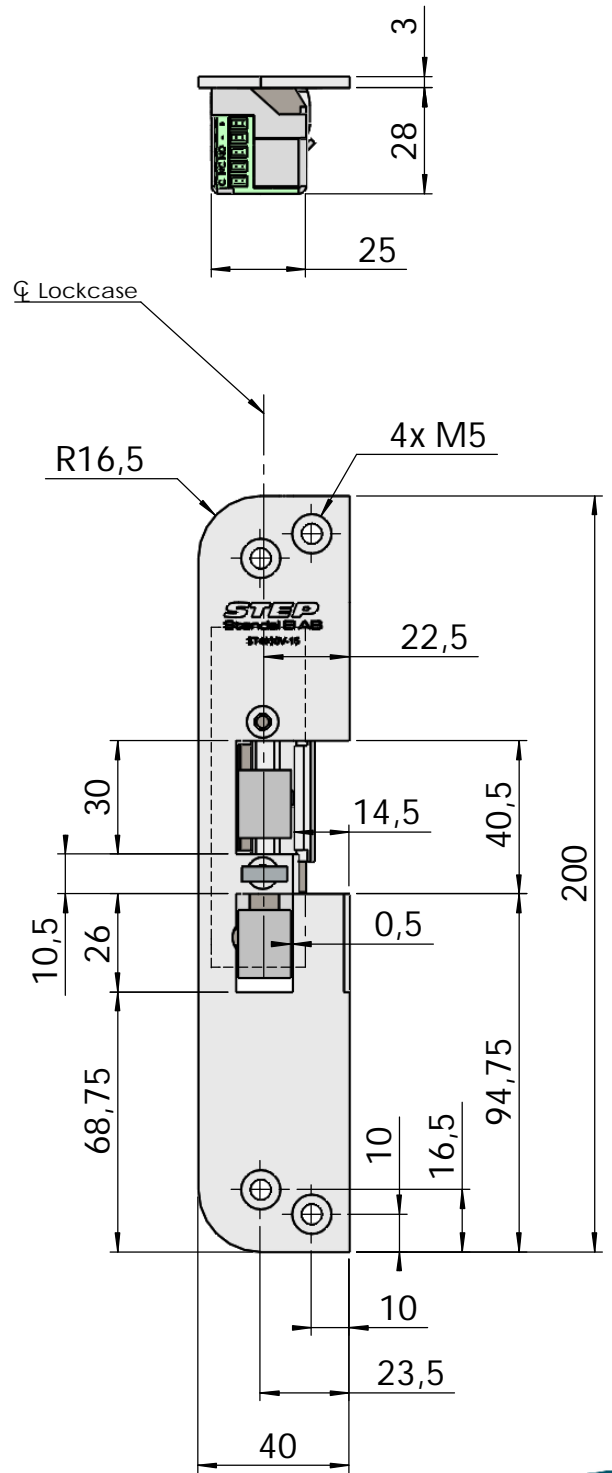
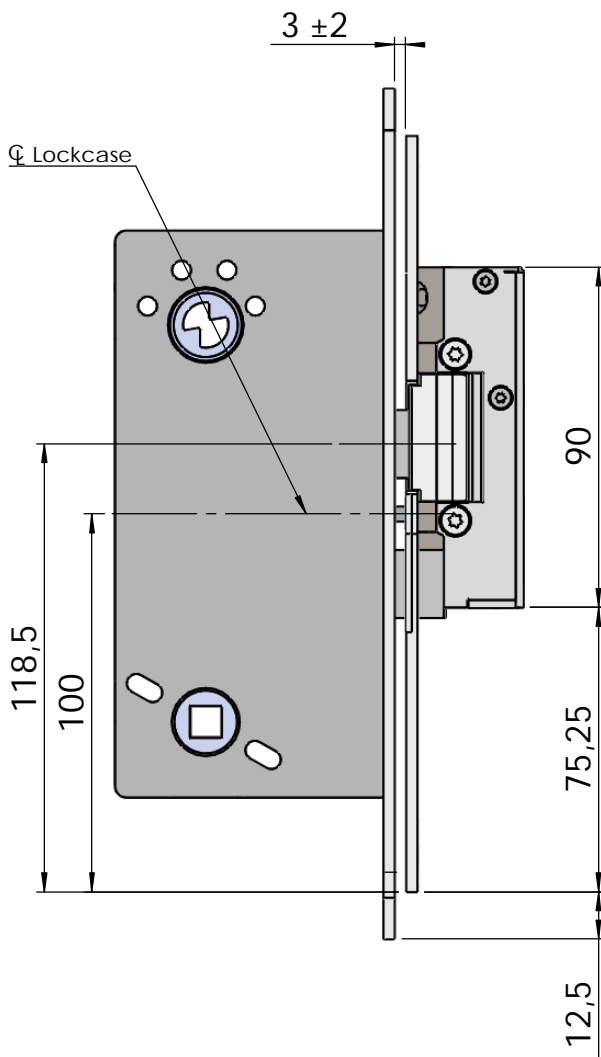




# Montering för Modul



This document shall not be copied without owners written allowance and its content shall not be exposed for third part nor be used for unauthorized purpose.

Owner  
**Stendals EI AB**

Title/Description  
**STEP 40 med plan stolpe plös 15mm  
Montering för Modul**

Drawing no. **ST4030V-15**

Scale  
**1:2**

