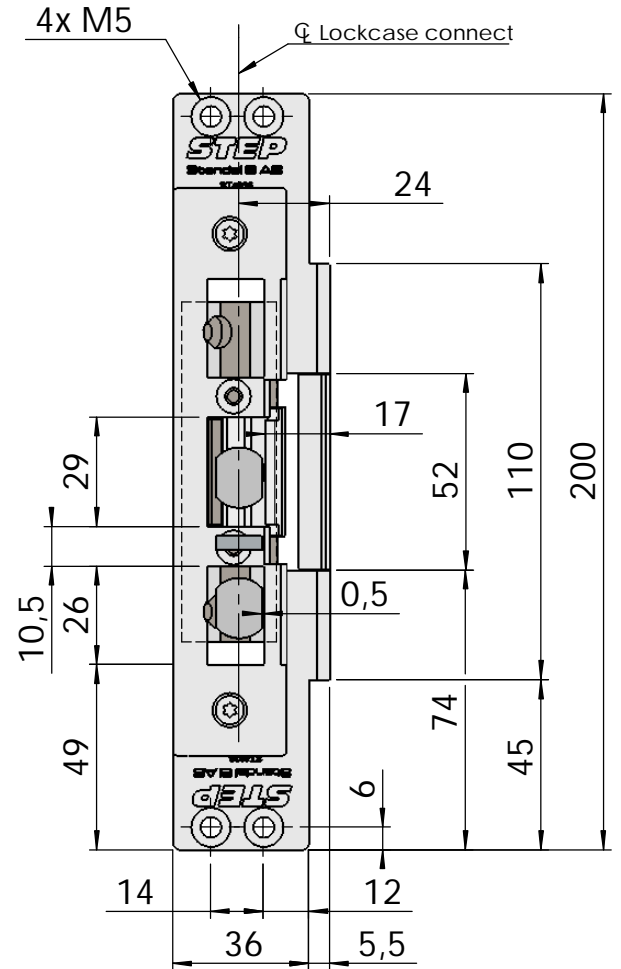
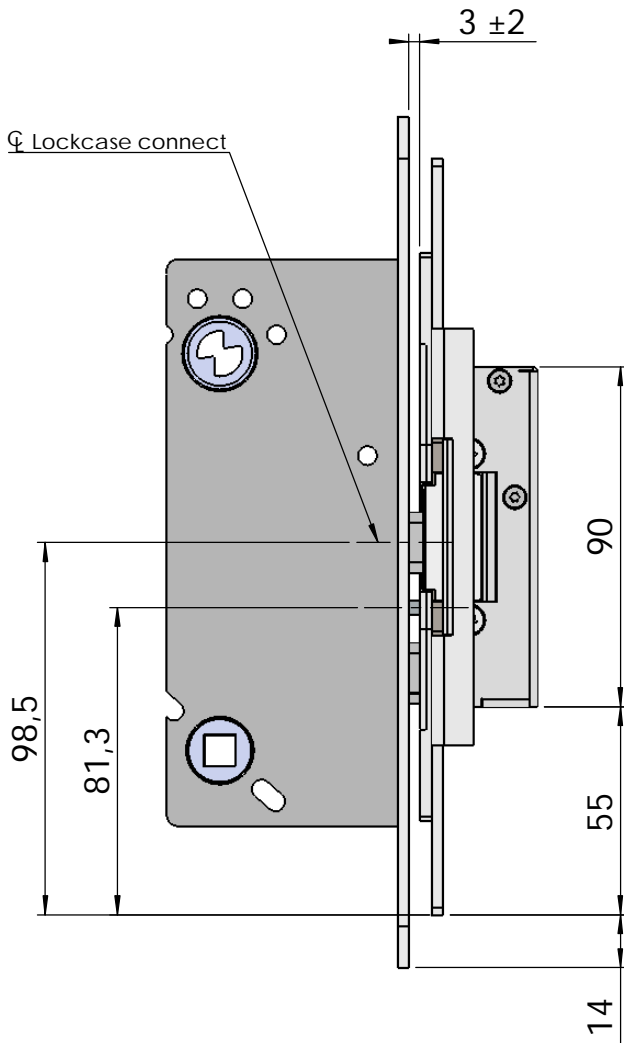
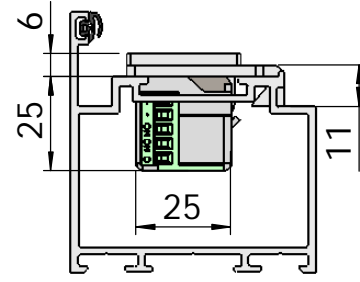




# Montering för Connect



This document shall not be copied without owners written allowance and its content shall not be exposed for third part nor be used for unauthorized purpose.

Owner  
**Stendals EI AB**

Title/Description  
**STEP 40 med plan stolpe plös 15,5mm  
Montering för Connect**

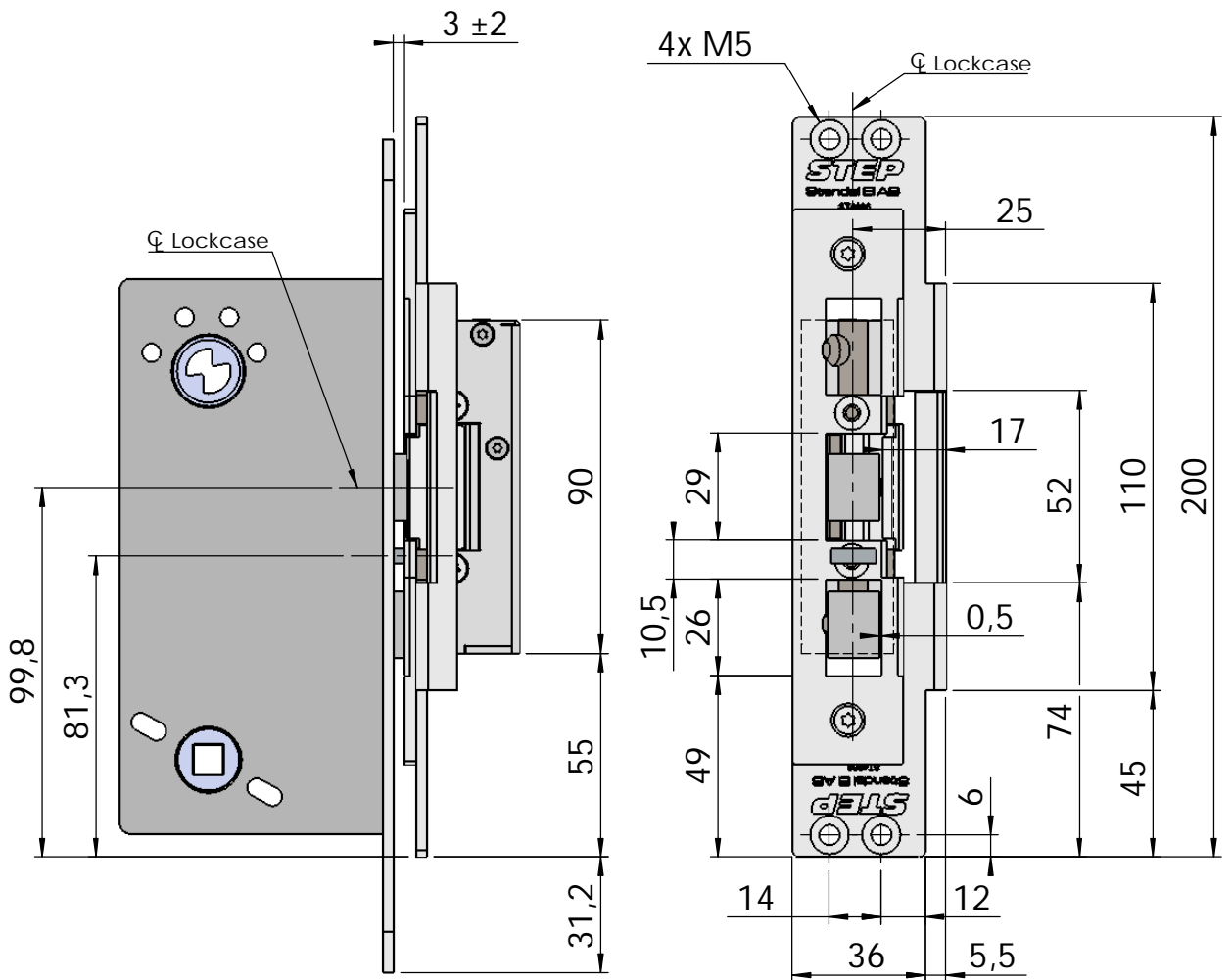
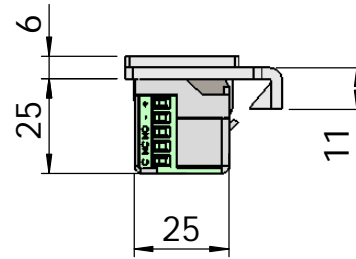
Drawing no. **ST4036**

Scale  
**1:2**





# Montering för Modul



This document shall not be copied without owners written allowance and its content shall not be exposed for third part nor be used for unauthorized purpose.

Owner <b>Stendals EI AB</b>	Title/Description STEP 40 med plan stolpe plös 15,5mm Montering för Modul
	Drawing no. <b>ST4036</b> <span style="float: right;">Scale <b>1:2</b></span>