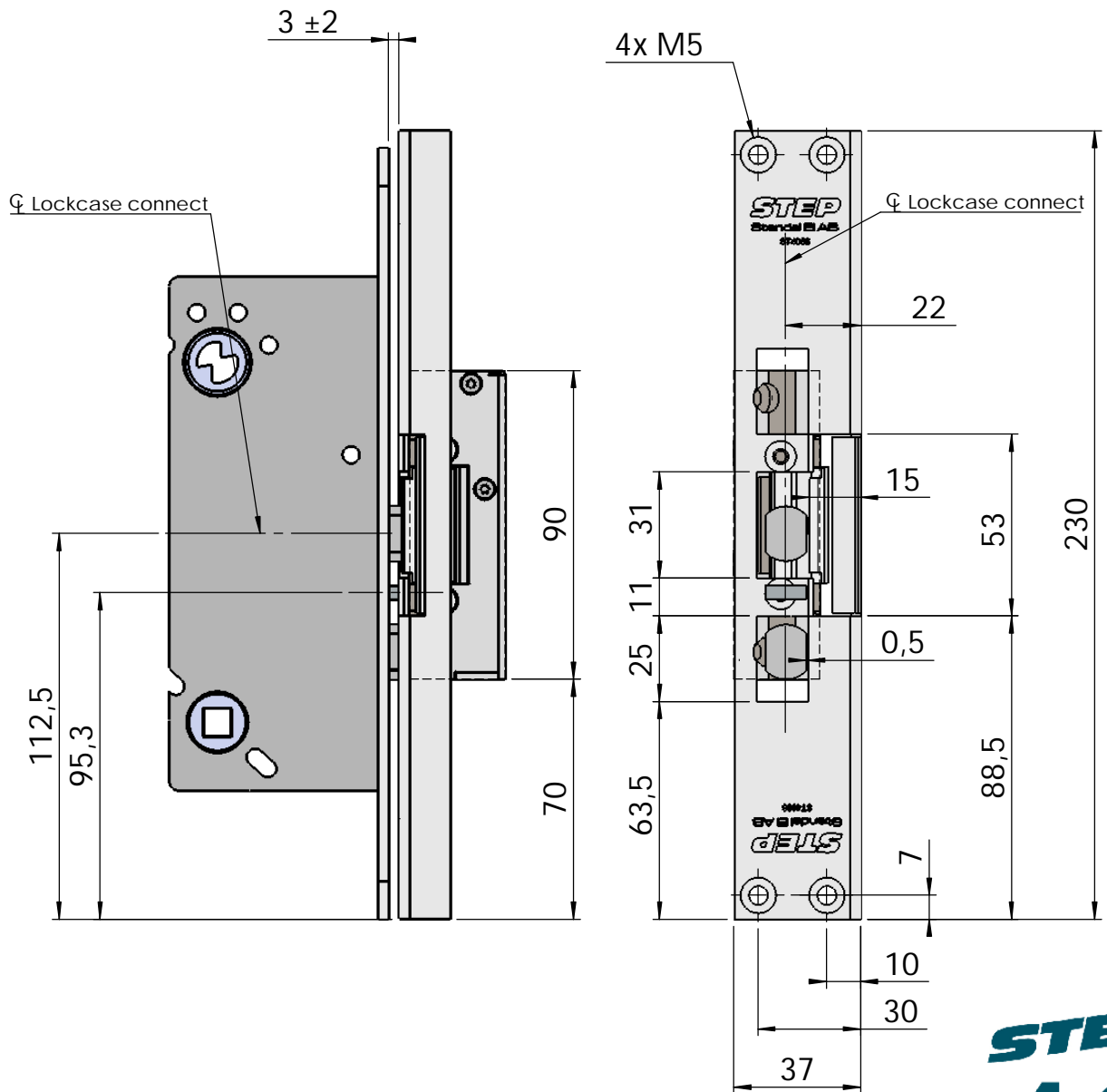
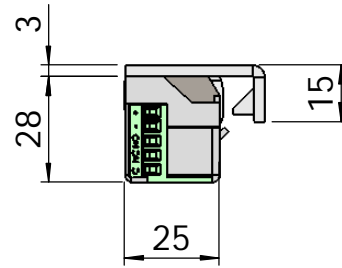




Montering för Connect

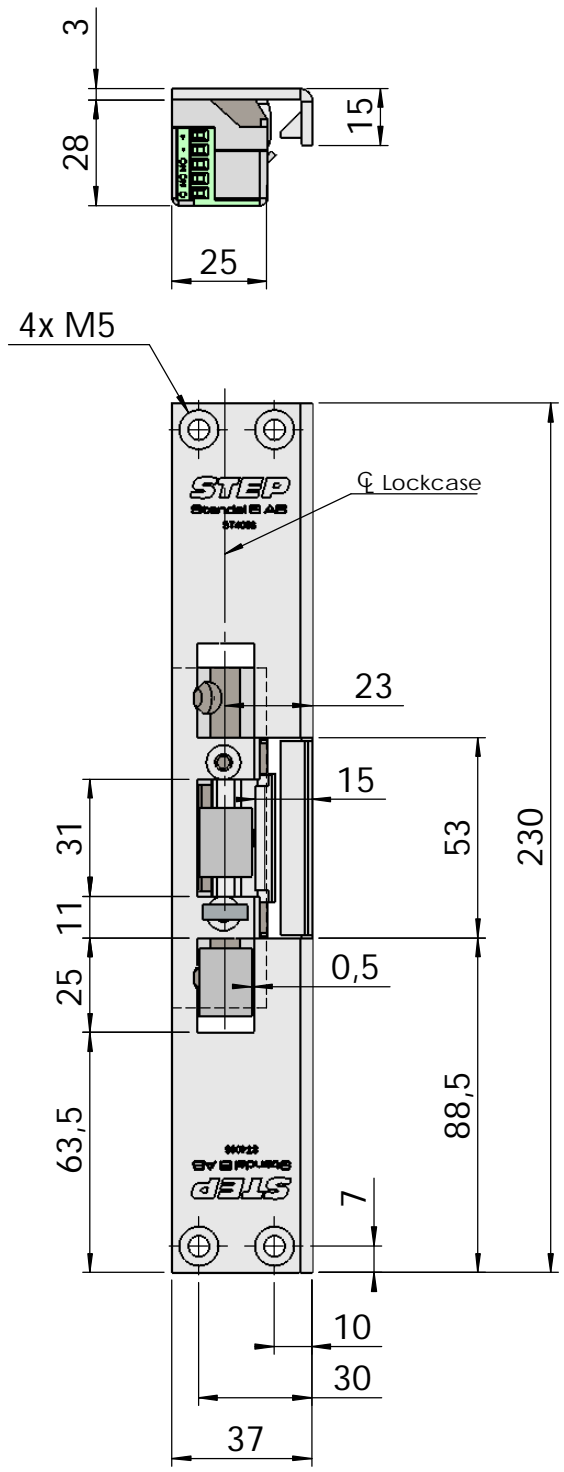
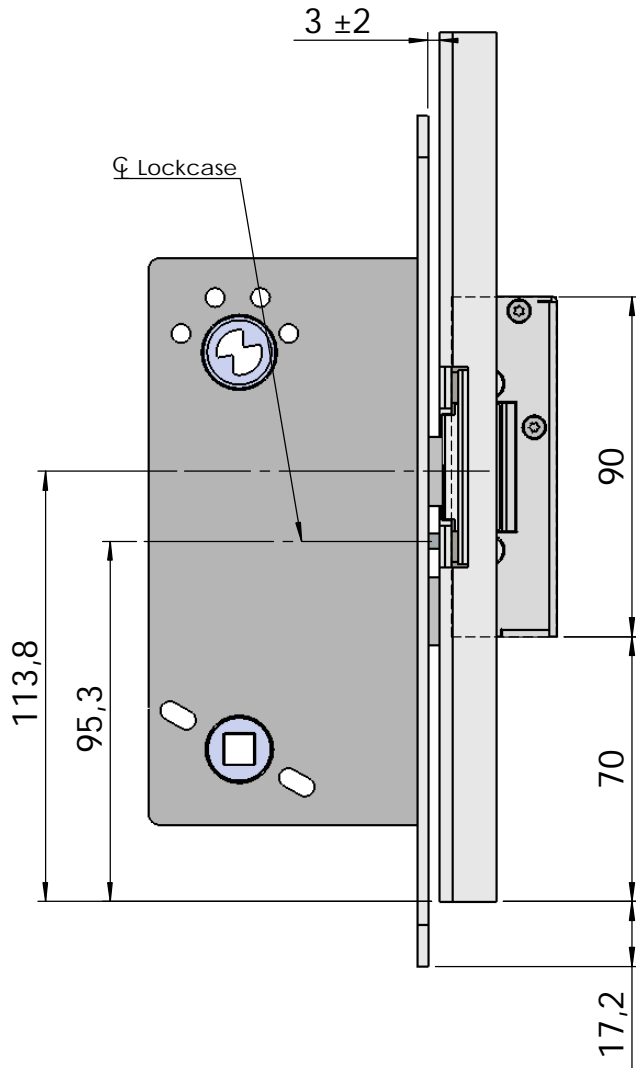


This document shall not be copied without owners written allowance and its content shall not be exposed for third part nor be used for unauthorized purpose.

A Owner Stendals EI AB	Title/Description STEP 40 med vinklad stolpe plös 15mm Montering för Connect
Drawing no.	ST4066
Scale	1:2



Montering för Modul



This document shall not be copied without owners written allowance and its content shall not be exposed for third part nor be used for unauthorized purpose.

A Owner
Stendals EI AB

Title/Description
STEP 40 med vinklad stolpe plös 15mm
Montering för Modul

Drawing no. **ST4066**

Scale
1:2

