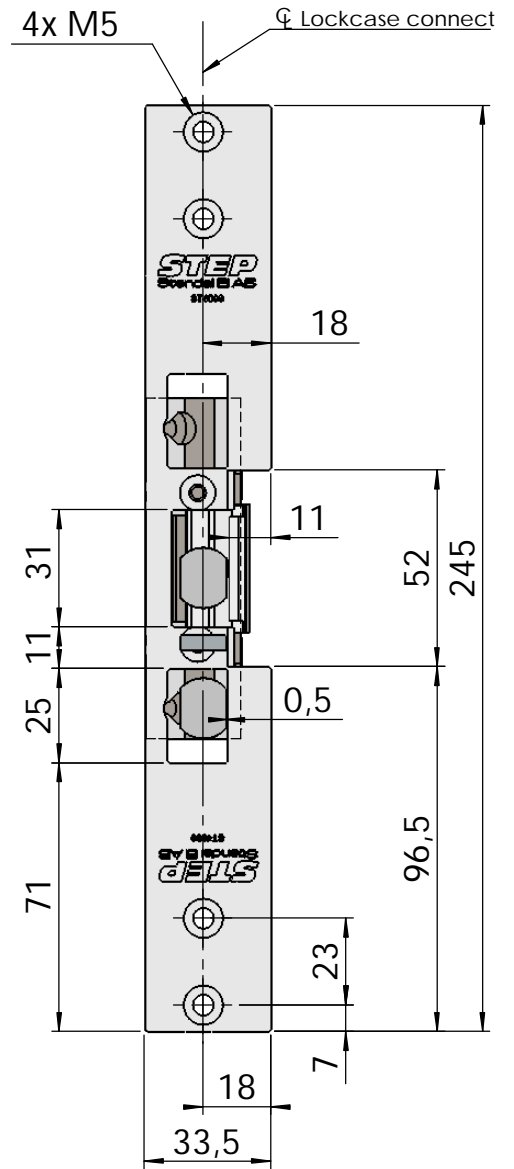
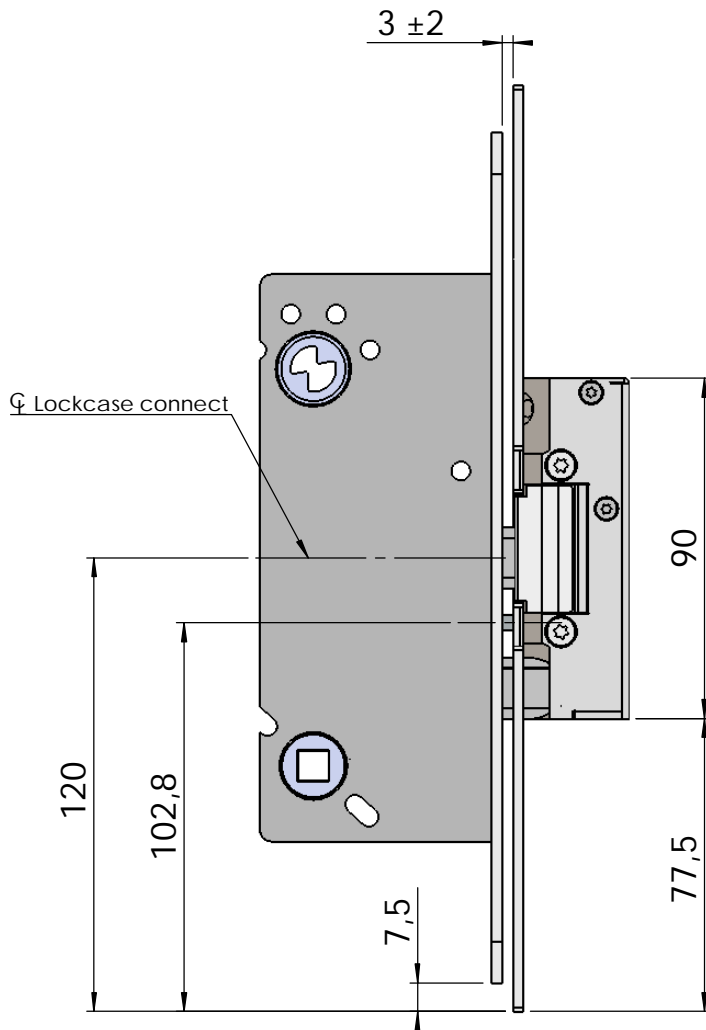
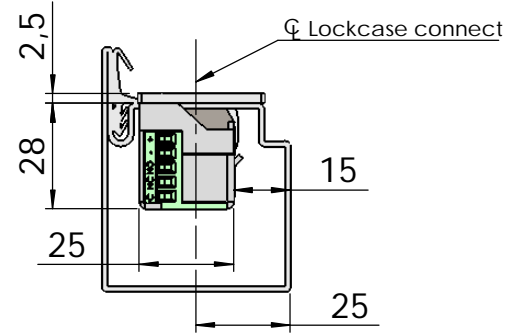




Montering för Connect



This document shall not be copied without owners written allowance and its content shall not be exposed for third part nor be used for unauthorized purpose.

Owner
Stendals EI AB

Title/Description
Stolpe STEP 40 för Economy 50. Plös 11mm
Montering för Connect

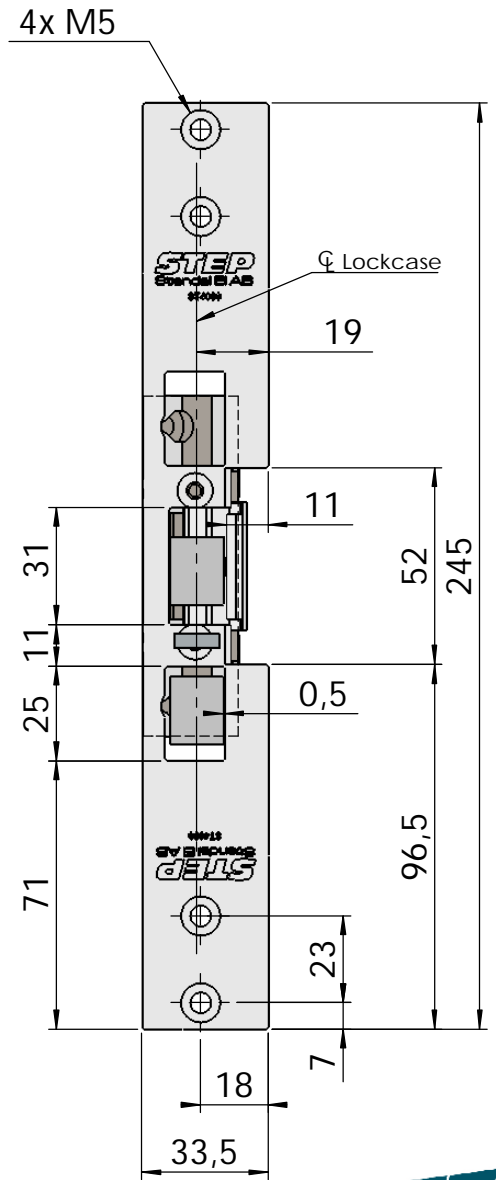
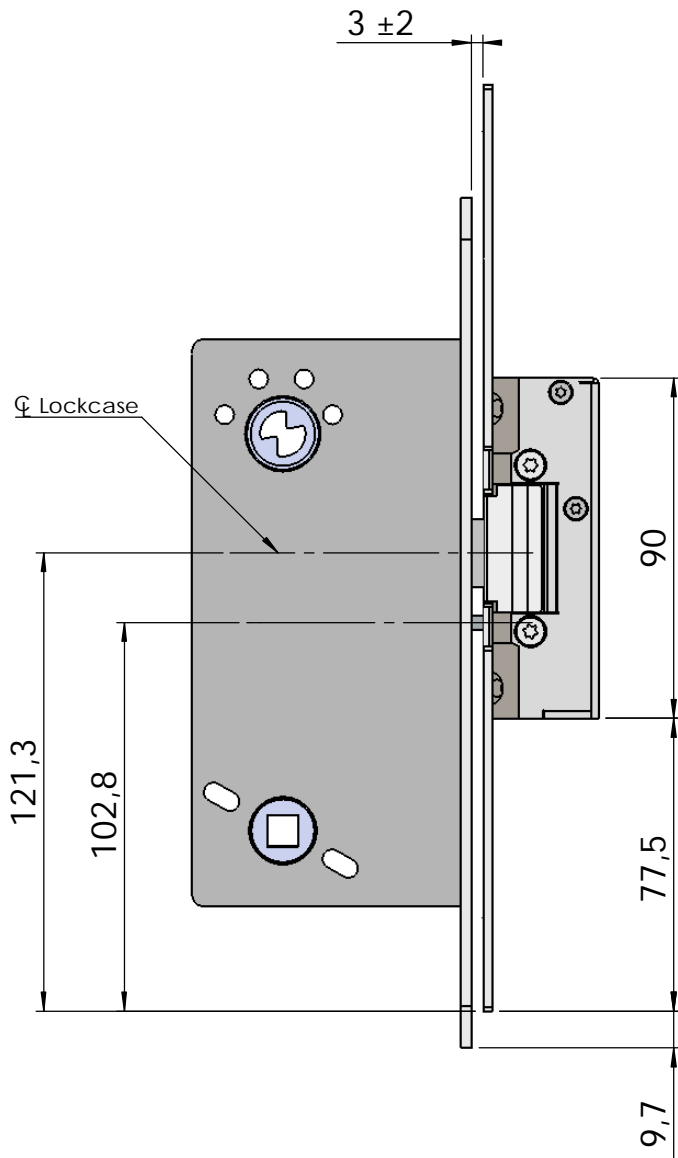
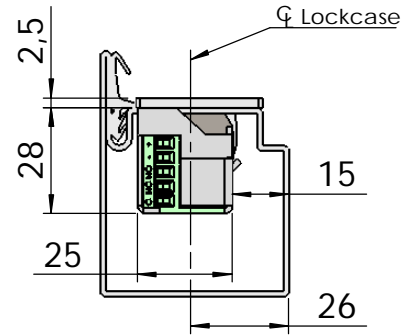
Drawing no.
ST4090

Scale
1:2





Montering för Modul



This document shall not be copied without owners written allowance and its content shall not be exposed for third part nor be used for unauthorized purpose.

Owner
Stendals EI AB

Title/Description
**Stolpe STEP 40 för Economy 50. Plös 11mm
Montering för Modul**

Drawing no. **ST4090**

Scale **1:2**