



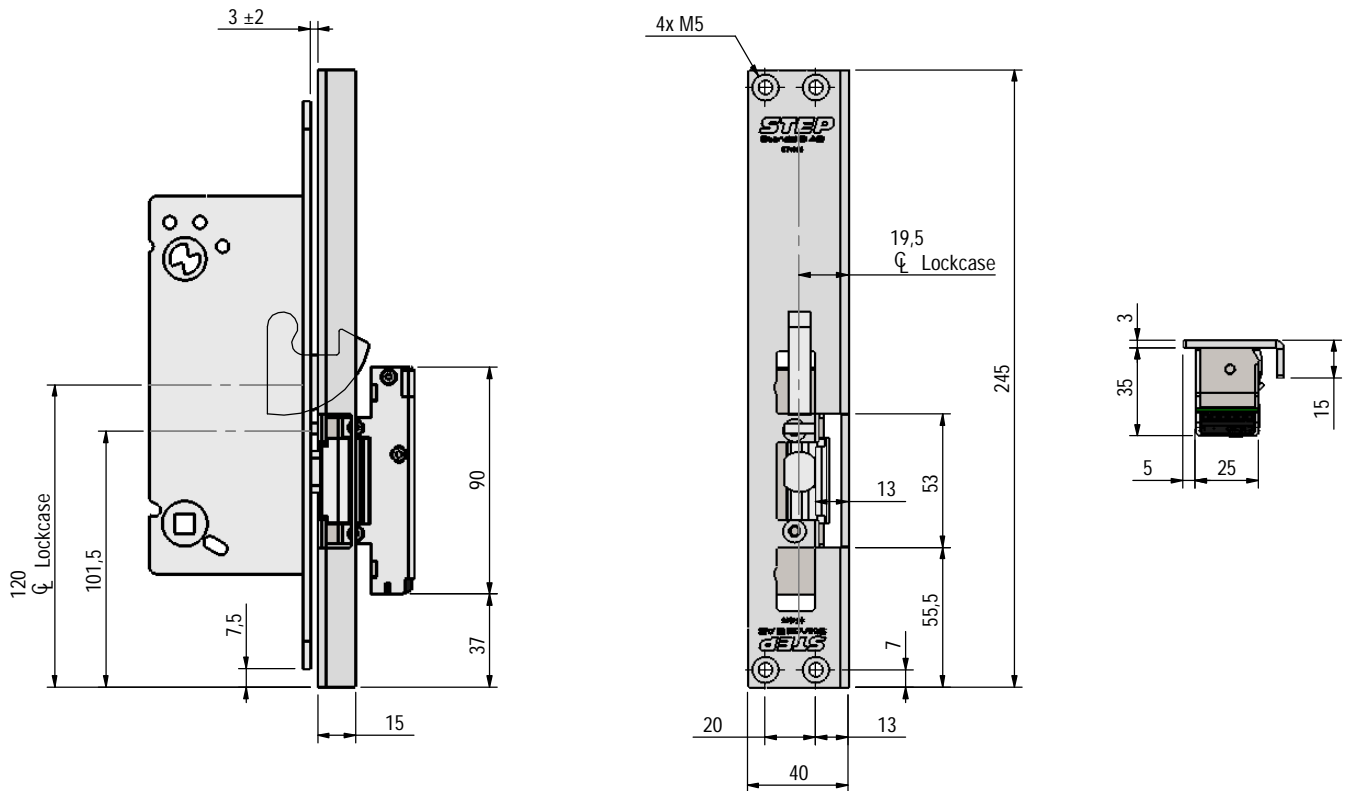
# ST4855

Angled faceplate 245x40x15, Left  
Lip width 13 mm

Scale  
1:3

STEP 48 Preload  
STEP 98 Preload

ASSA Connect



STEP 48 Preload  
STEP 98 Preload

ASSA Modular

