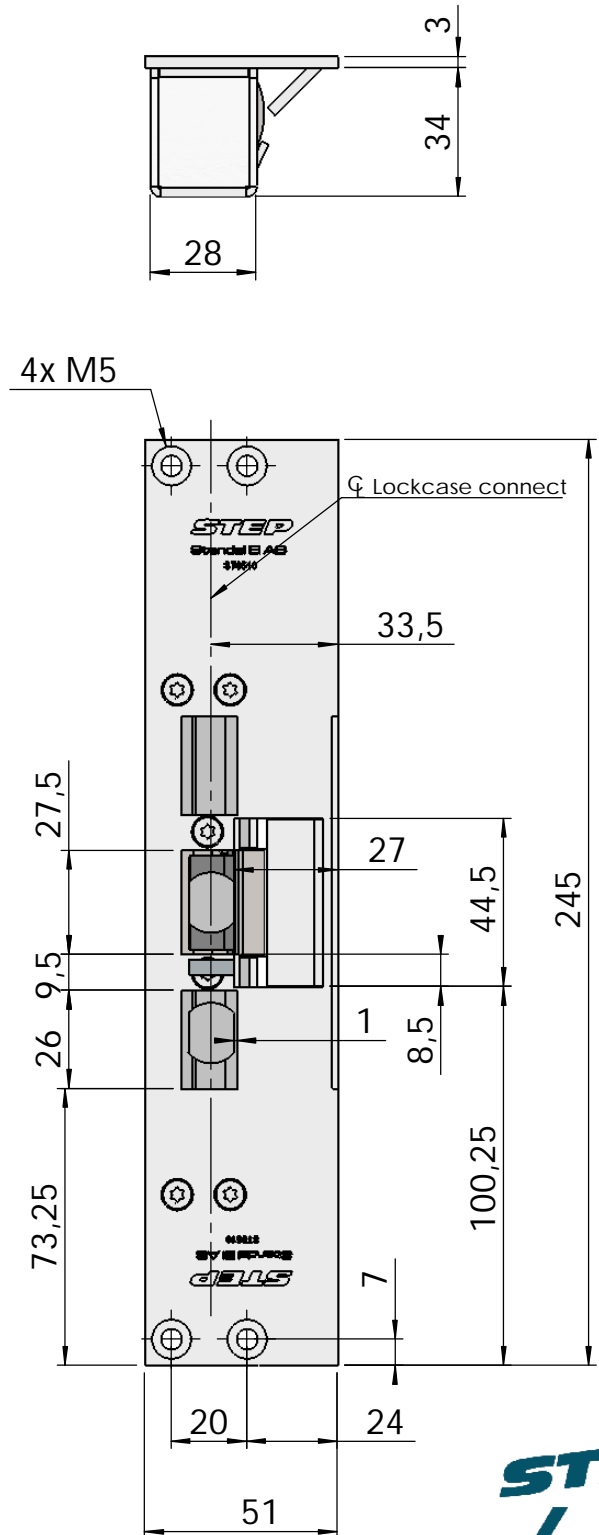
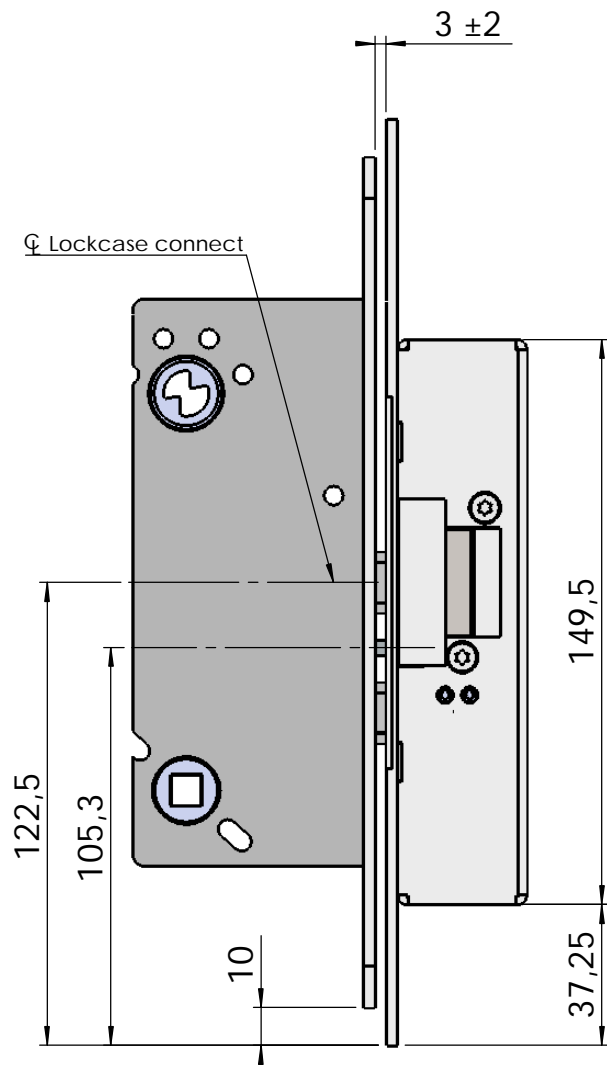




# Montering för Connect



This document shall not be copied without owners written allowance and its content shall not be exposed for third part nor be used for unauthorized purpose.

Owner

Stendals EI AB

Title/Description

STEP 60 med plan stolpe plös 26mm  
Montering för Connect

Drawing no.

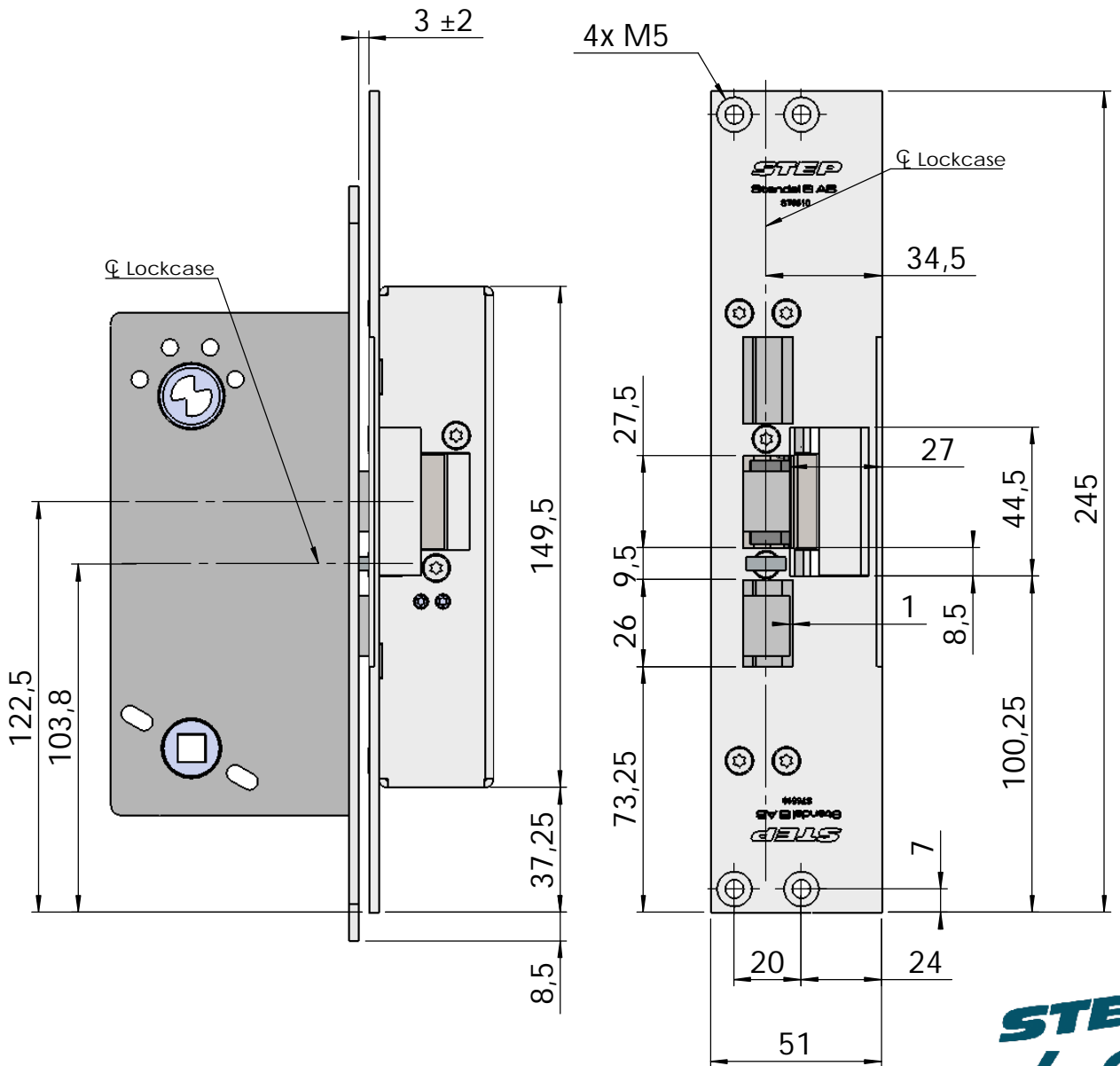
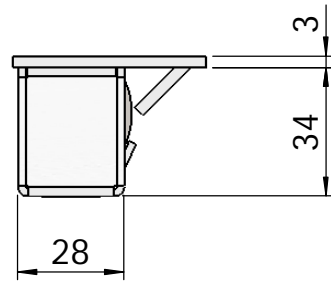
ST6510

Scale

1:2



# Montering för Modul



This document shall not be copied without owners written allowance and its content shall not be exposed for third part nor be used for unauthorized purpose.

A Owner  
**Stendals EI AB**

Title/Description  
STEP 60 med plan stolpe plös 26mm  
Montering för Modul

Drawing no. **ST6510**

Scale  
**1:2**