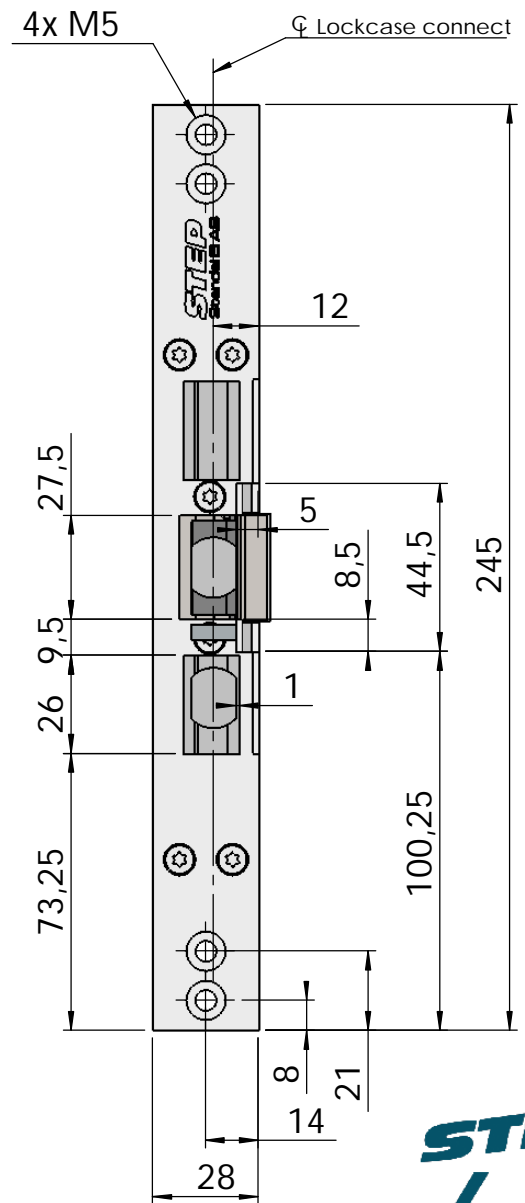
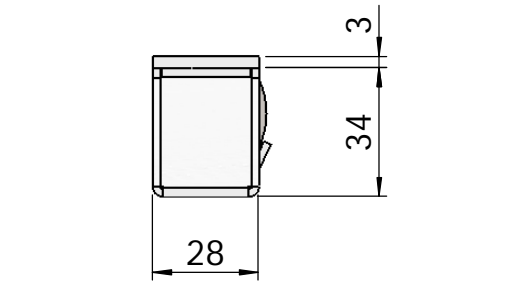
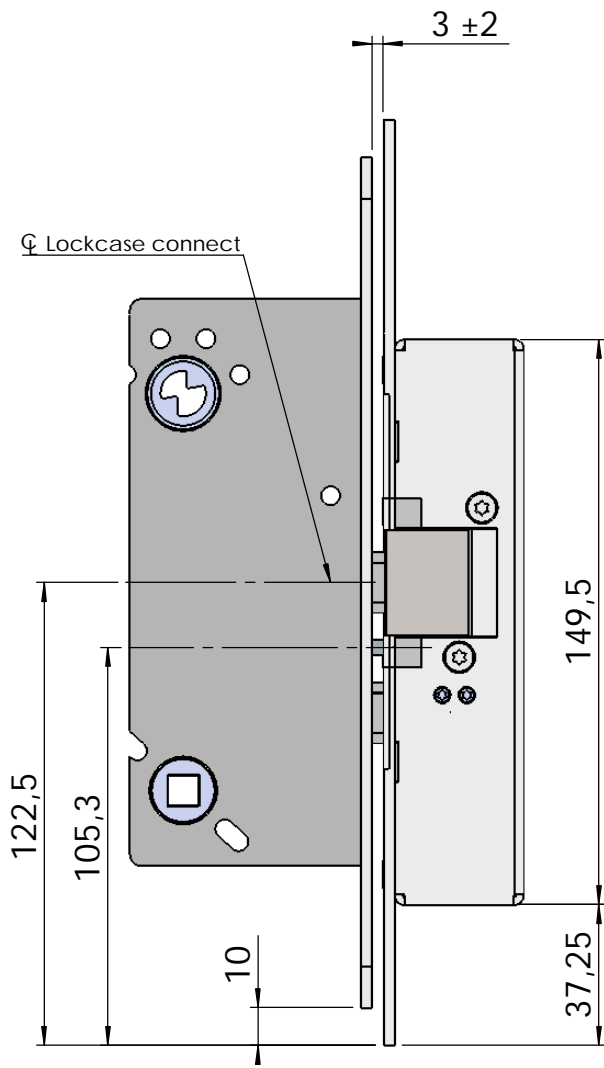




Montering för Connect



This document shall not be copied without owners written allowance and its content shall not be exposed for third part nor be used for unauthorized purpose.

Owner
Stendals EI AB

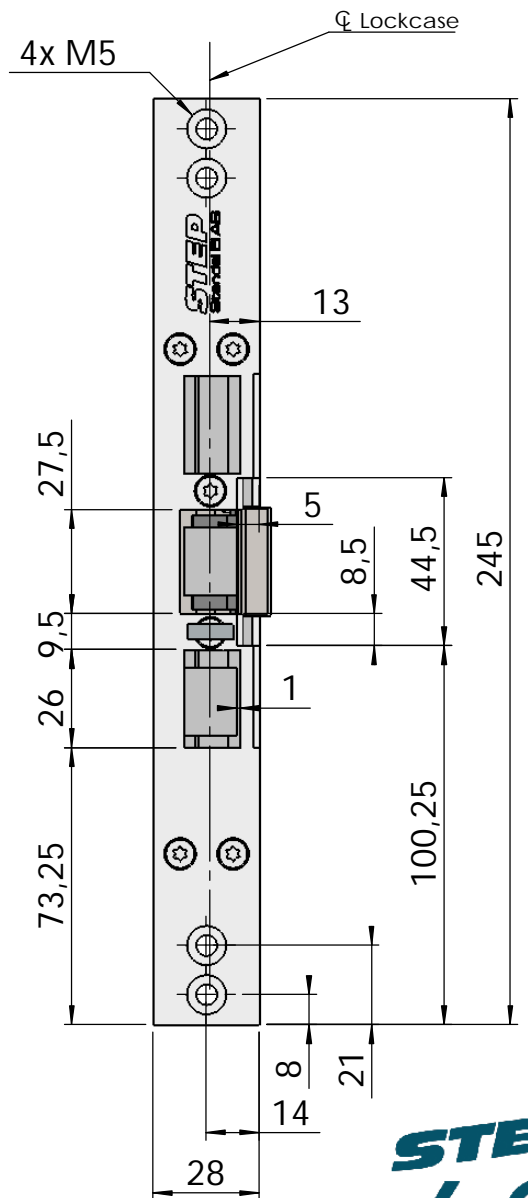
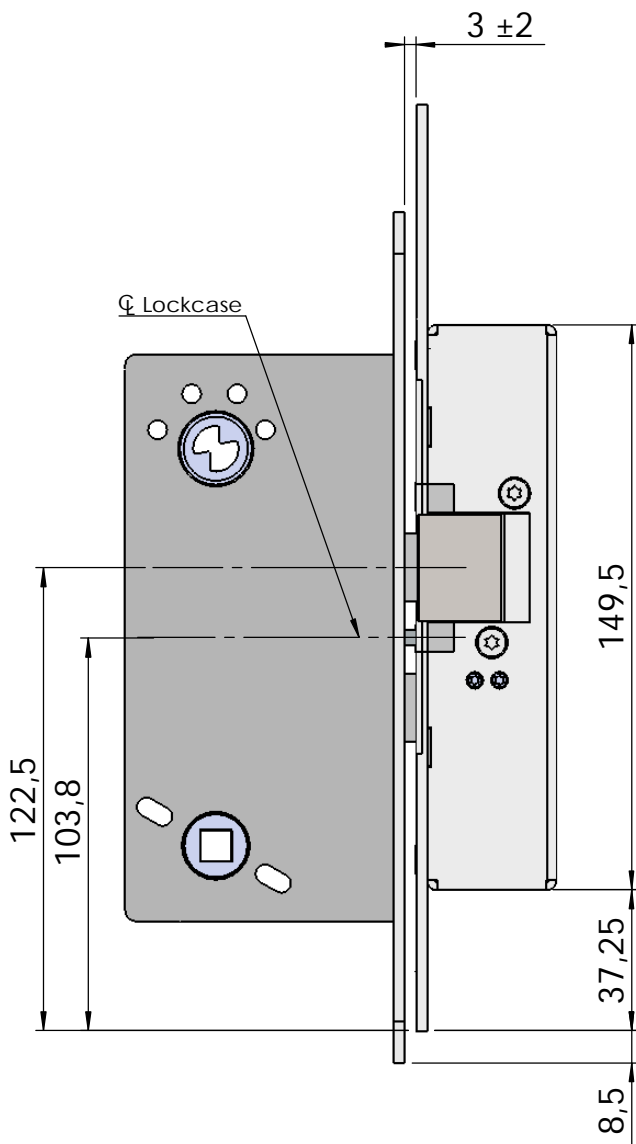
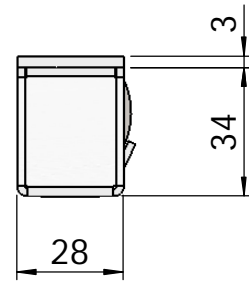
Title/Description
STEP 60 med plan stolpe plös 4,5mm
Montering för Connect

Drawing no. **ST6511**

Scale
1:2



Montering för Modul



This document shall not be copied without owners written allowance and its content shall not be exposed for third part nor be used for unauthorized purpose.

Owner
Stendals EI AB

Title/Description
**STEP 60 med plan stolpe plös 4,5mm
Montering för Modul**

Drawing no.
ST6511

Scale
1:2