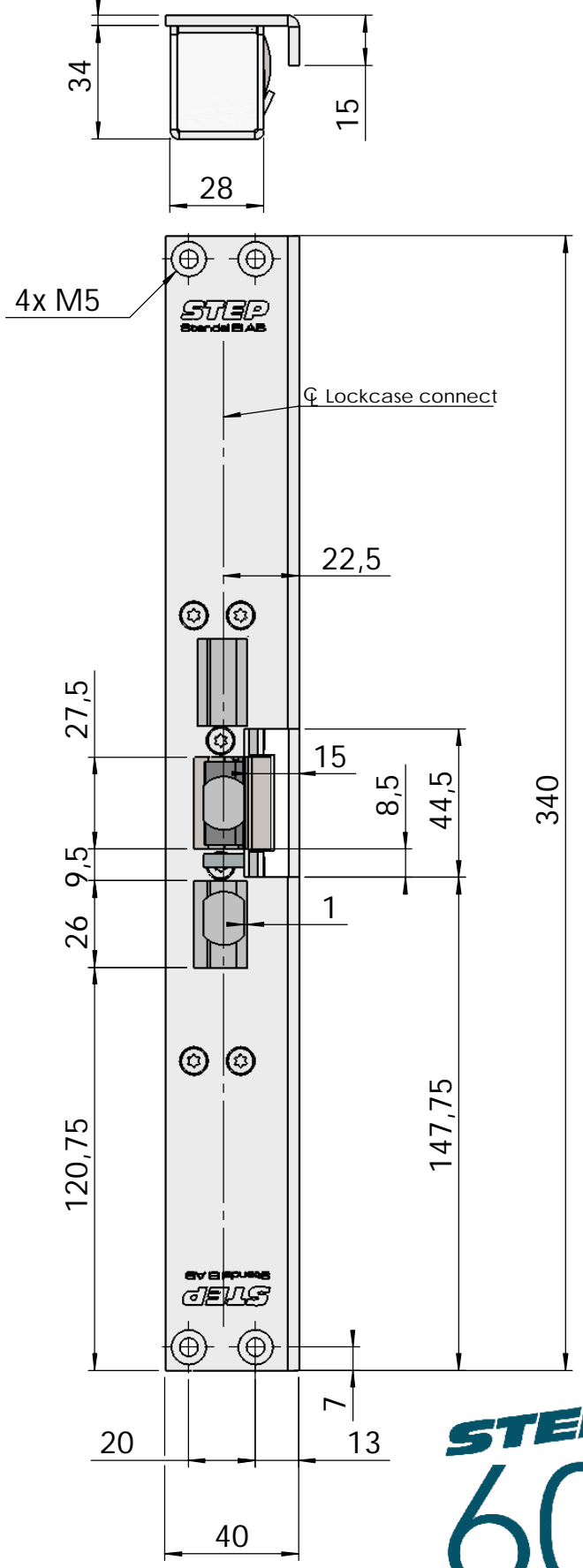
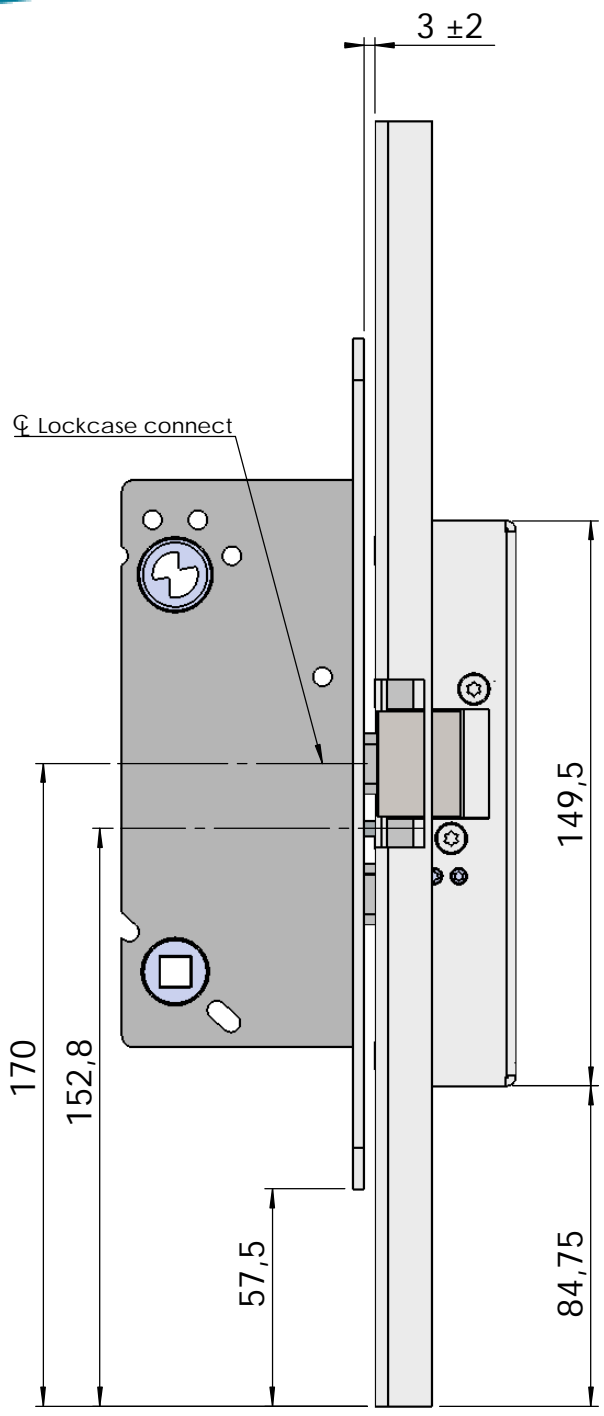




Montering för Connect

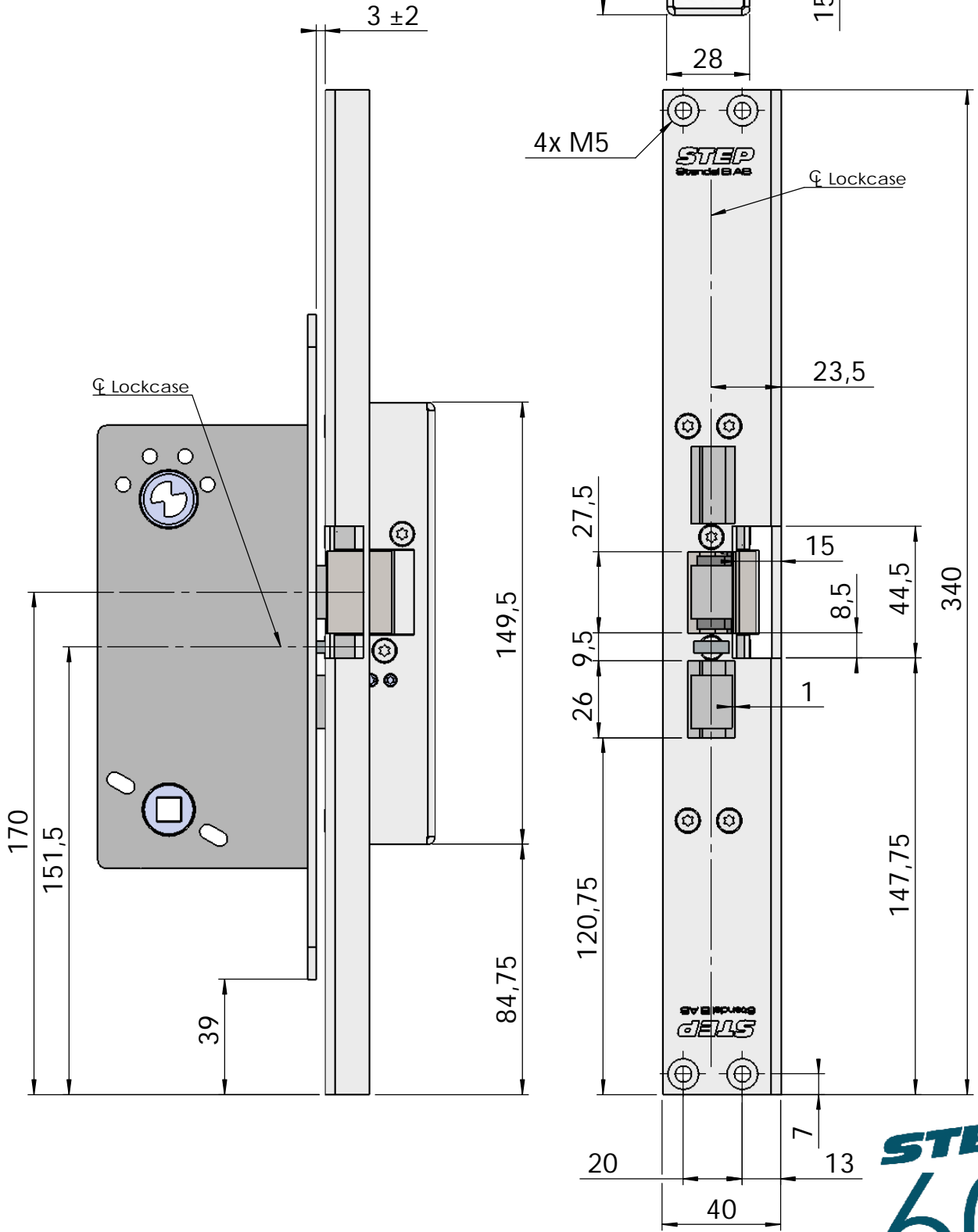


Owner Stendals EI AB	Title/Description STEP 60 med vinklad stolpe plös 15mm Montering för Connect
Drawing no. ST6530	Scale 1:2

This document shall not be copied without owners written allowance and its content shall not be exposed for third part nor be used for unauthorized purpose.



Montering för Modul



This document shall not be copied without owners written allowance and its content shall not be exposed for third part nor be used for unauthorized purpose.

Owner Stendals EI AB	Title/Description STEP 60 med vinklad stolpe plös 15mm Montering för Modul
	Drawing no. ST6530
	Scale 1:2