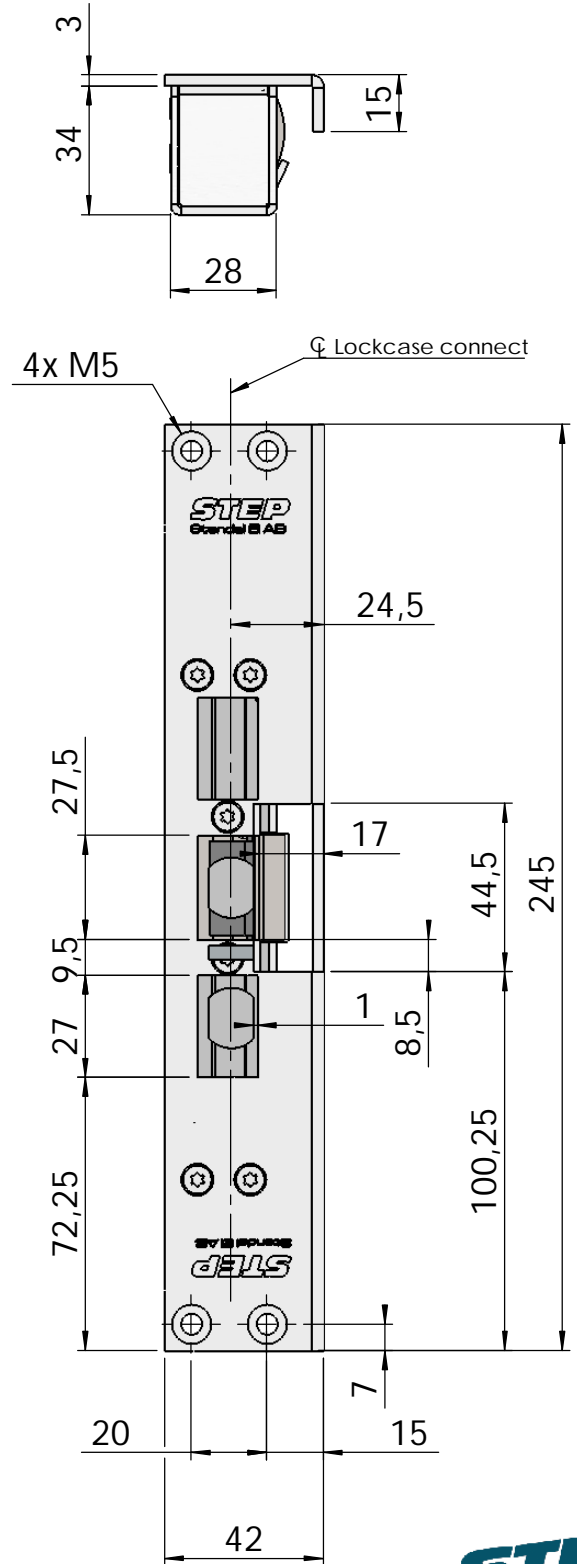
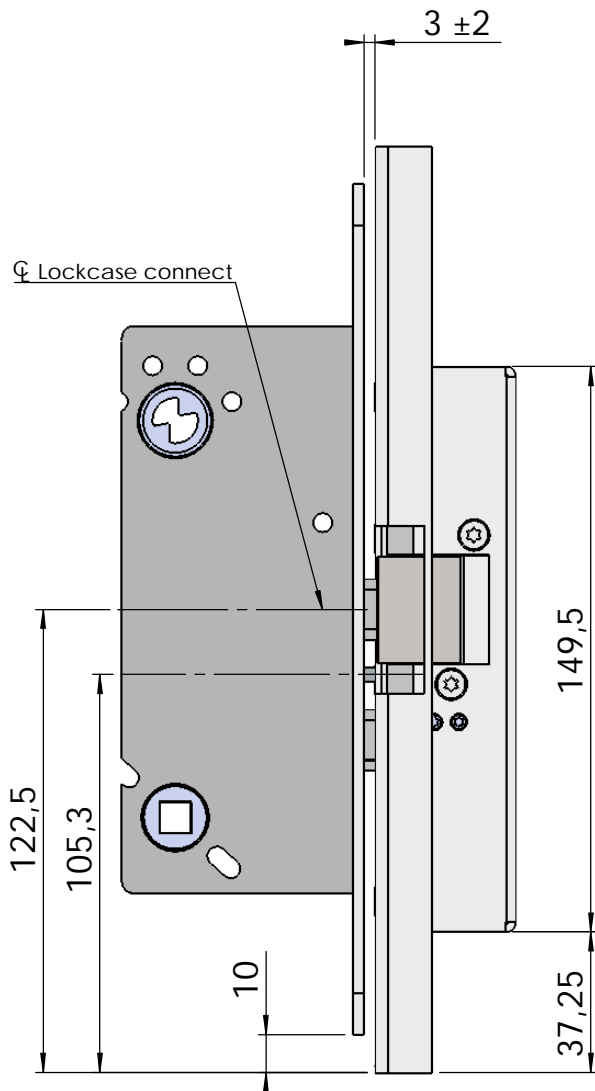




Montering för Connect



This document shall not be copied without owners written allowance and its content shall not be exposed for third part nor be used for unauthorized purpose.

Owner

Stendals EI AB

Title/Description

STEP 60 med vinklad stolpe plös 17mm
Montering för Connect

Drawing no.

ST6557

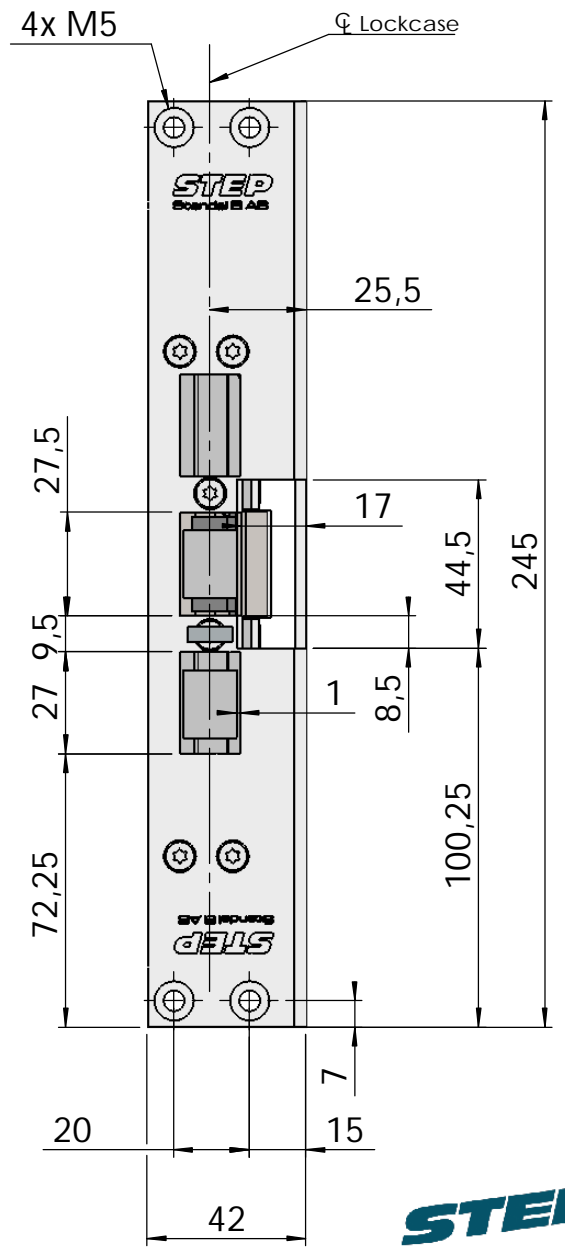
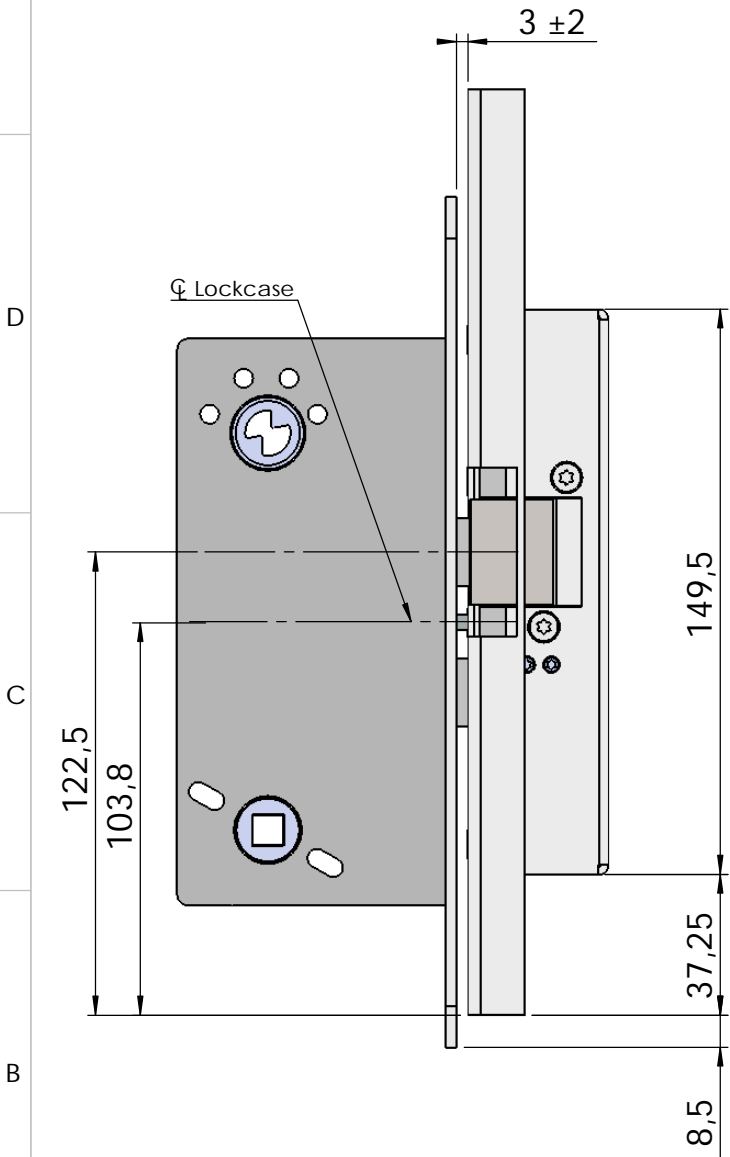
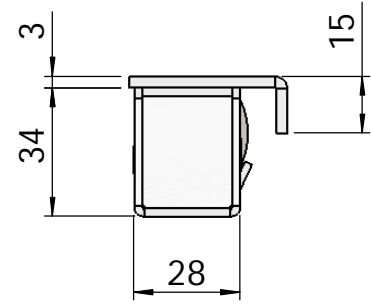
Scale

1:2





Montering för Modul



This document shall not be copied without owners written allowance and its content shall not be exposed for third part nor be used for unauthorized purpose.

Owner Stendals EI AB	Title/Description STEP 60 med vinklad stolpe plös 17mm Montering för Modul
	Drawing no. ST6557
	Scale 1:2