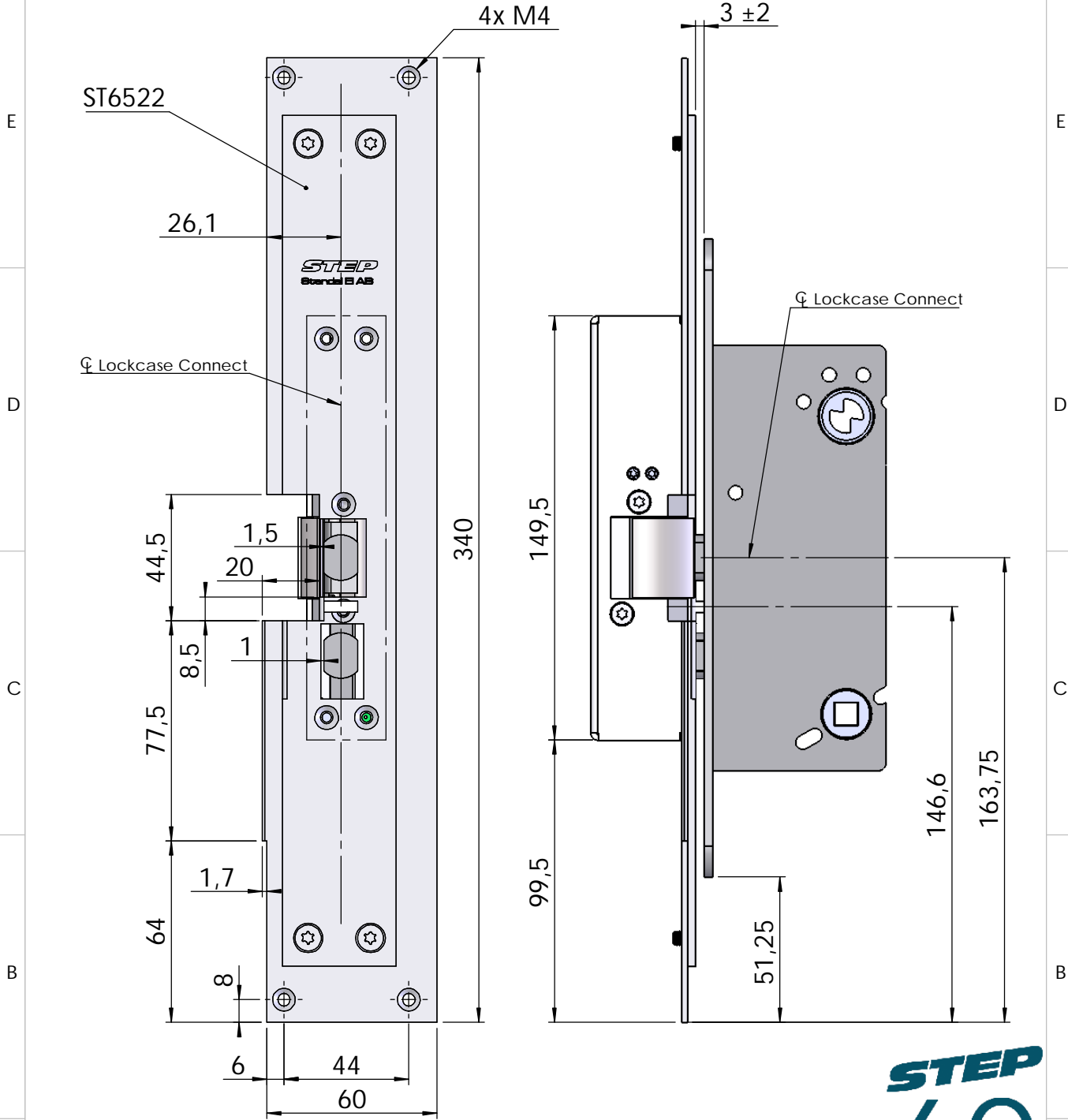


Montering för Connect

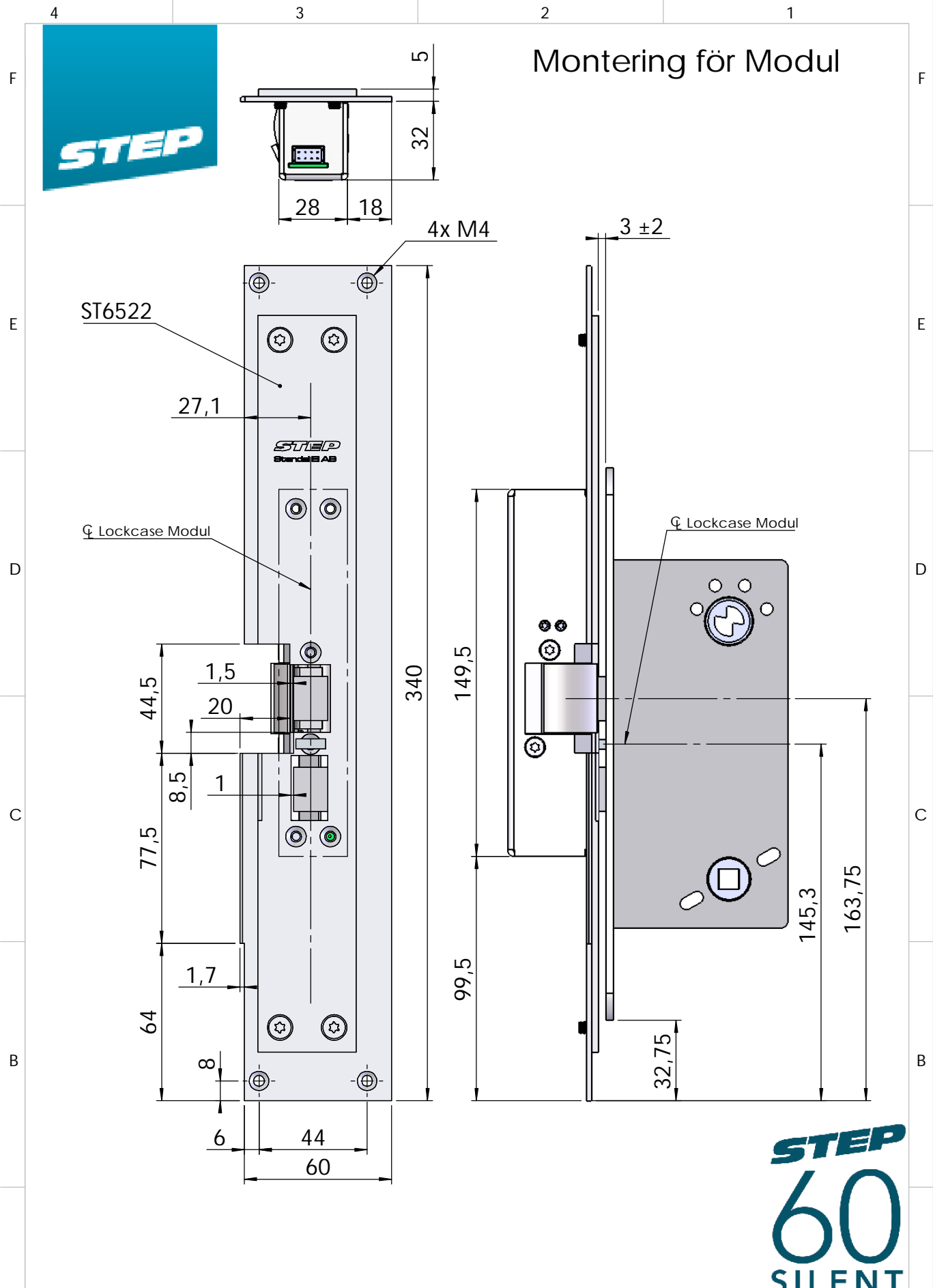


This document shall not be copied without owners written allowance and its content shall not be exposed for third part nor be used for unauthorized purpose.

<p>Owner</p> <h2>Stendals EI AB</h2>	<p>Title/Description</p> <p>Ersätter Step 18 & ST187 höger kombineras med ST6522</p> <h3>Montering för Connect</h3> <p>Drawing no.</p> <p>ST6580-B</p> <p>Scale</p> <p>1:2</p>
--------------------------------------	--



Montering för Modul



This document shall not be copied without owners written allowance and its content shall not be exposed for third part nor be used for unauthorized purpose.

<p>Owner</p> <h2>Stendals EI AB</h2>	<p>Title/Description</p> <p>Ersätter Step 18 & ST187 höger kombineras med ST6522</p> <h3>Montering för Modul</h3> <p>Drawing no.</p> <p>ST6580-B</p> <p>Scale</p> <p>1:2</p>
--------------------------------------	--

