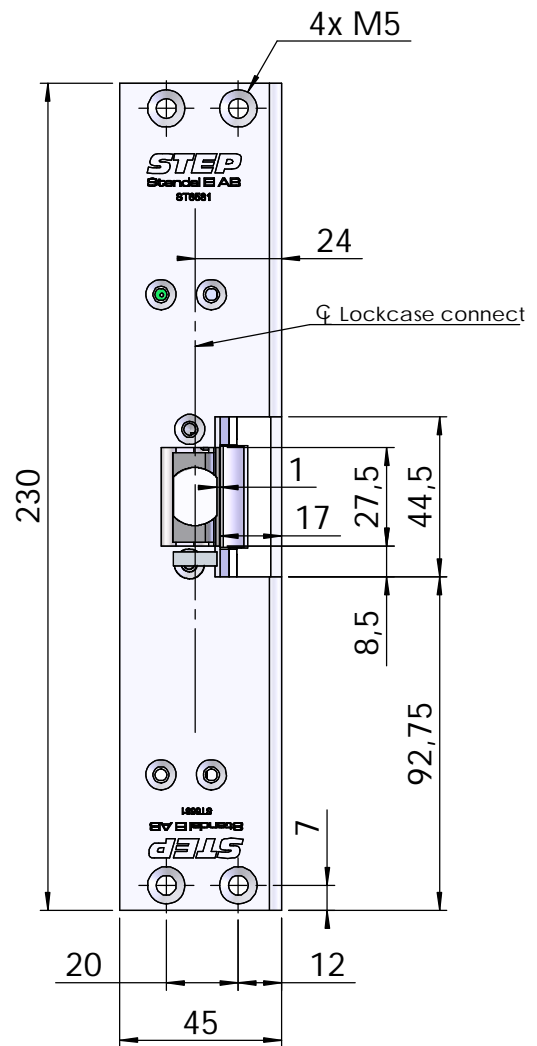
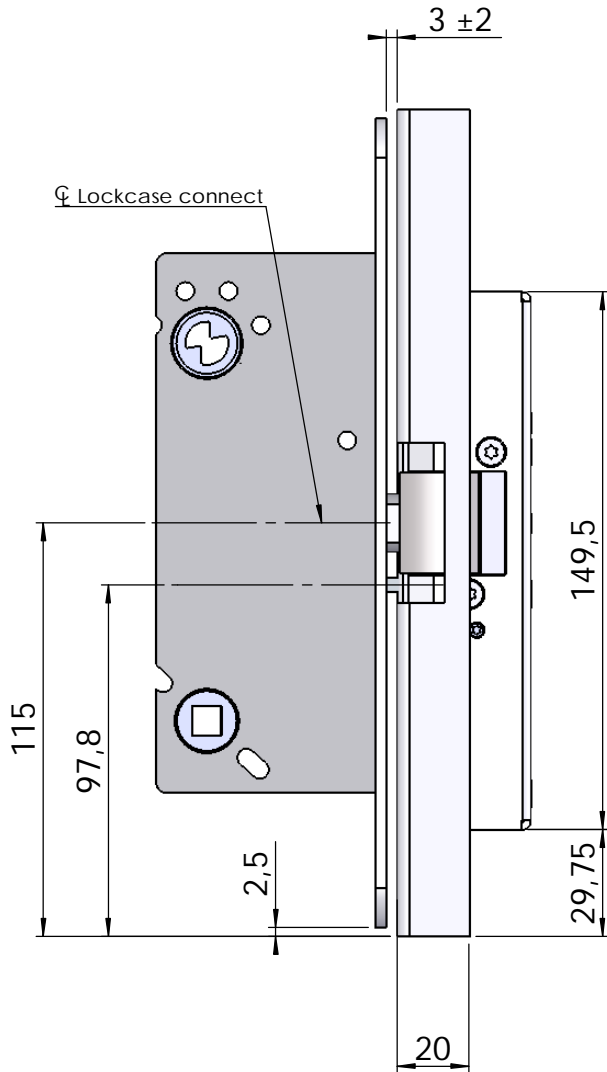
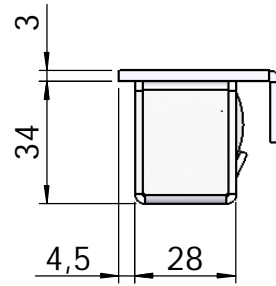




# Montering för Connect

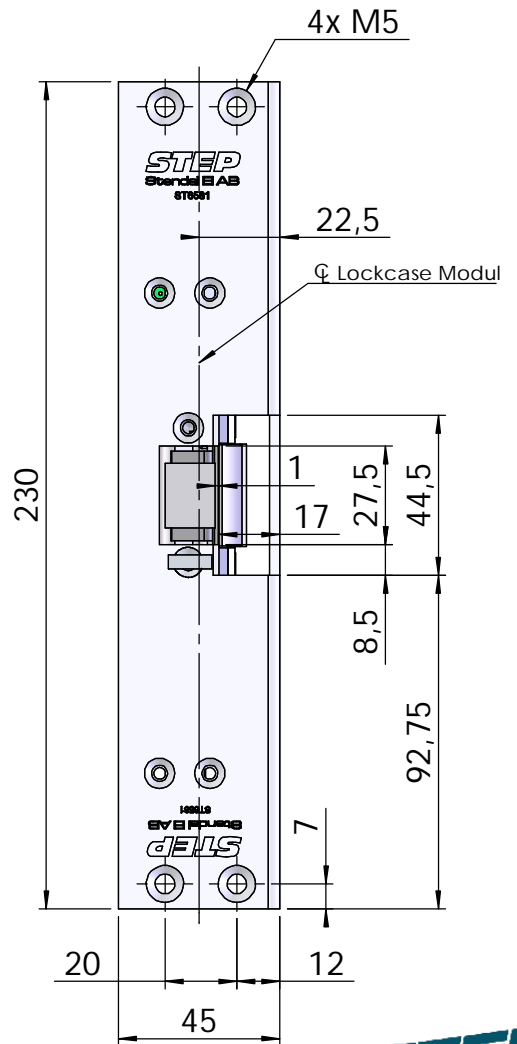
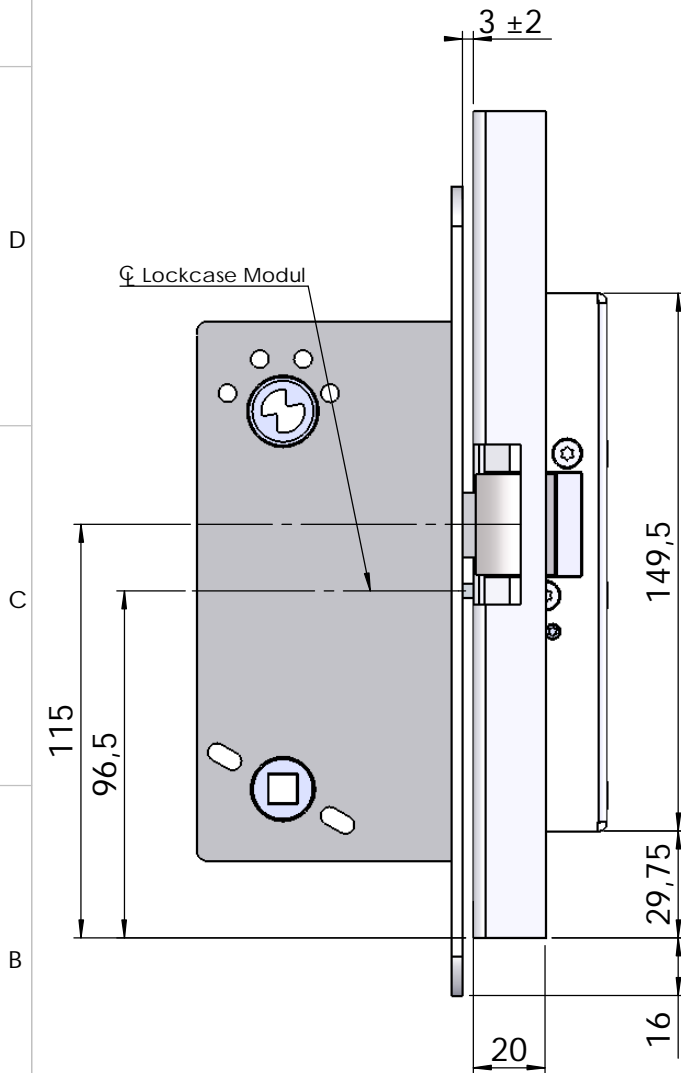
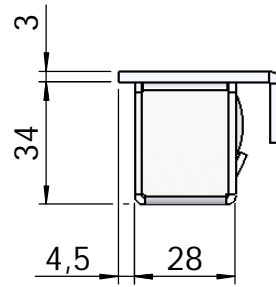


This document shall not be copied without owners written allowance and its content shall not be exposed for third part nor be used for unauthorized purpose.

<p>Owner</p> <h2>Stendals EI AB</h2>	<p>Title/Description</p> <p>Stolpe vinklad enkelfall 230x45x20 17mm plös Montering för Connect</p>	<p>Scale</p> <p>1:2</p>
<p>Drawing no.</p> <p>ST6581</p>		



# Montering för Modul



This document shall not be copied without owners written allowance and its content shall not be exposed for third part nor be used for unauthorized purpose.

<p>Owner</p> <h2>Stendals EI AB</h2>	<p>Title/Description</p> <p>Stolpe vinklad enkelfall 230x45x20 17mm plös Montering för Modul</p>	<p>Scale</p> <p>1:2</p>
<p>Drawing no.</p> <p>ST6581</p>		