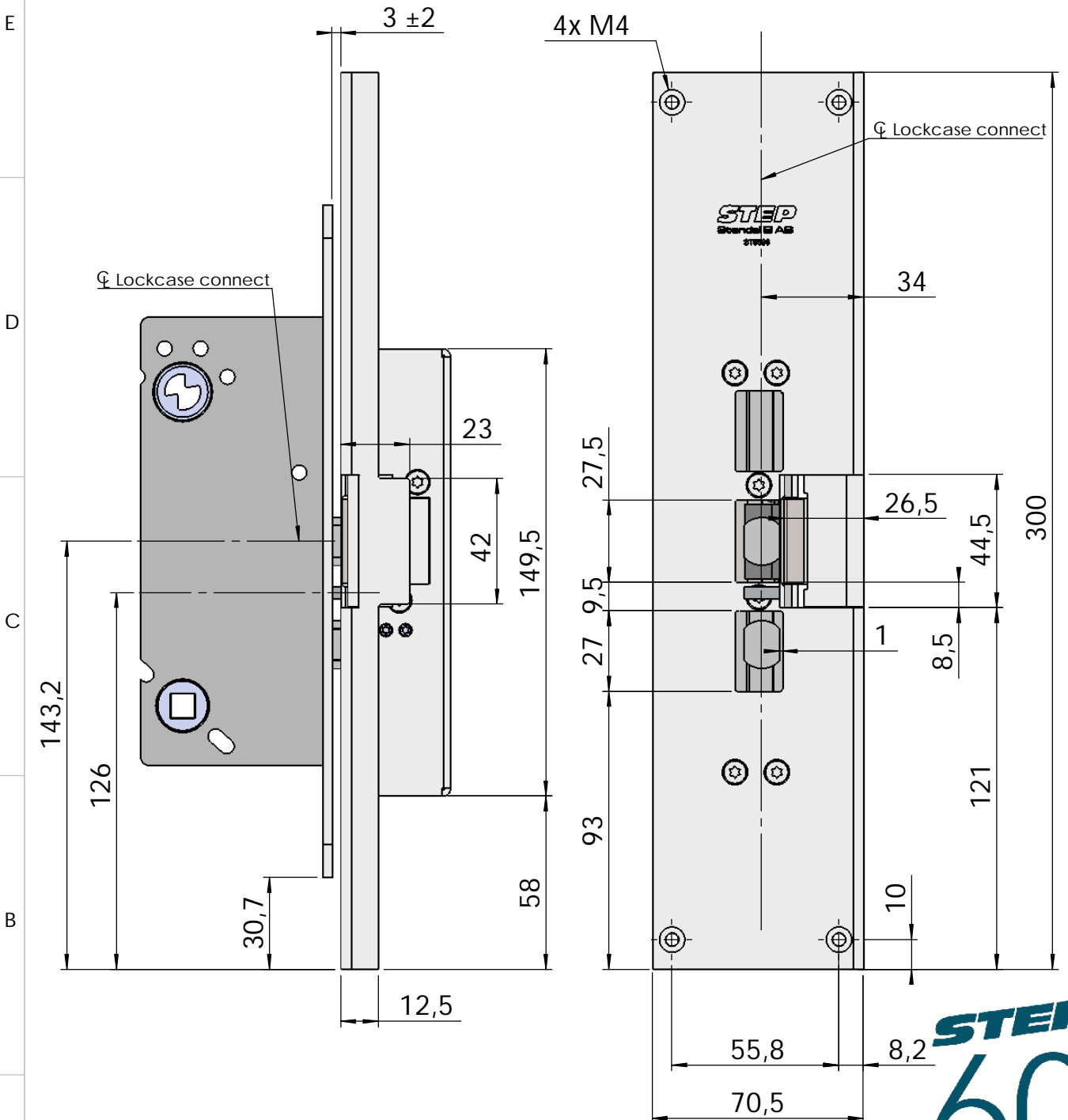
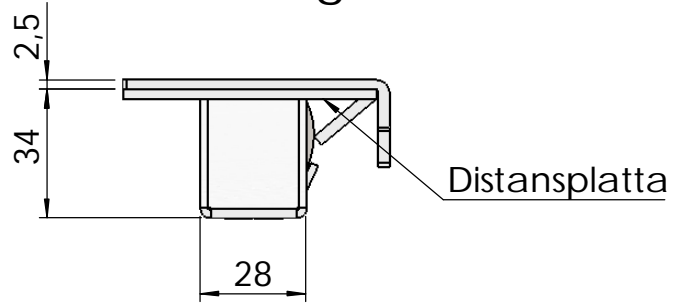




# Montering för Connect

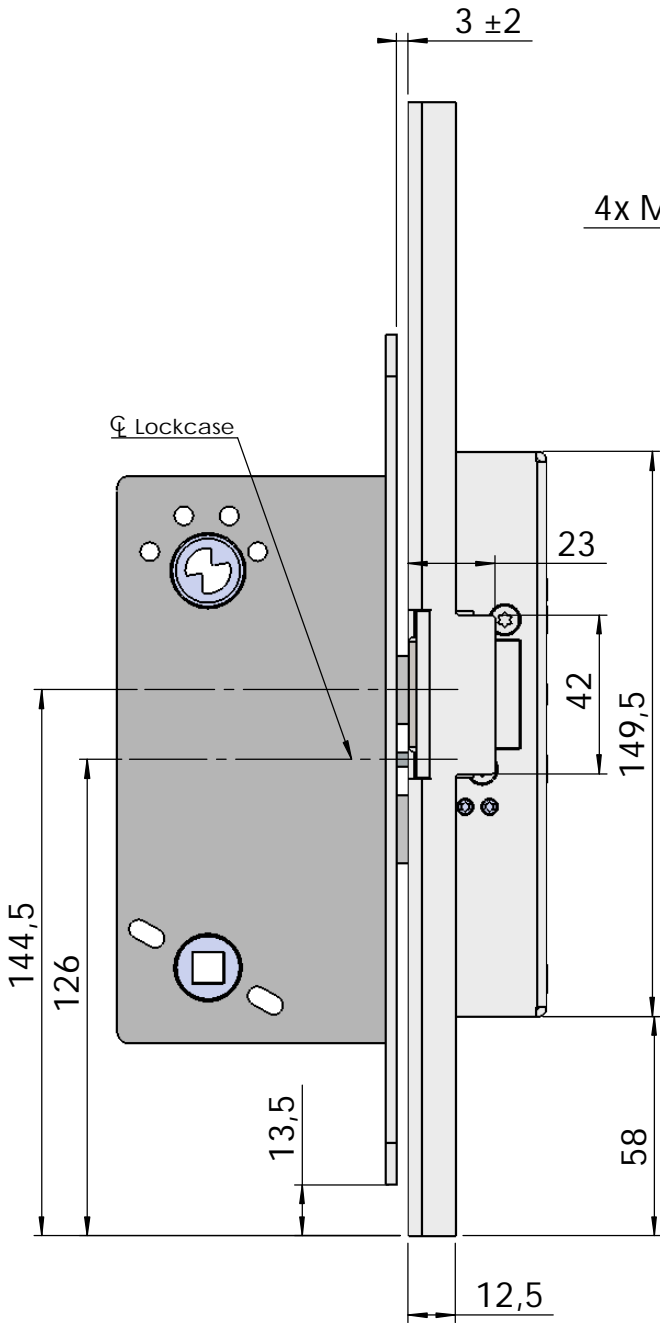
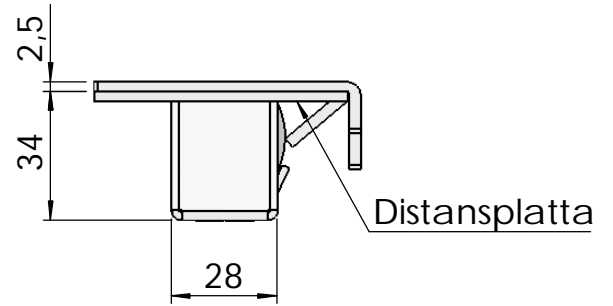


A Owner  <b>Stendals EI AB</b>	Title/Description <b>Stolpe Step 60 Ersätter ST1886-A plös 26,5mm Montering för Connect</b>  Drawing no. <b>ST6596</b>  Scale <b>1:2</b>
---	---

This document shall not be copied without owners written allowance and its content shall not be exposed for third part nor be used for unauthorized purpose.

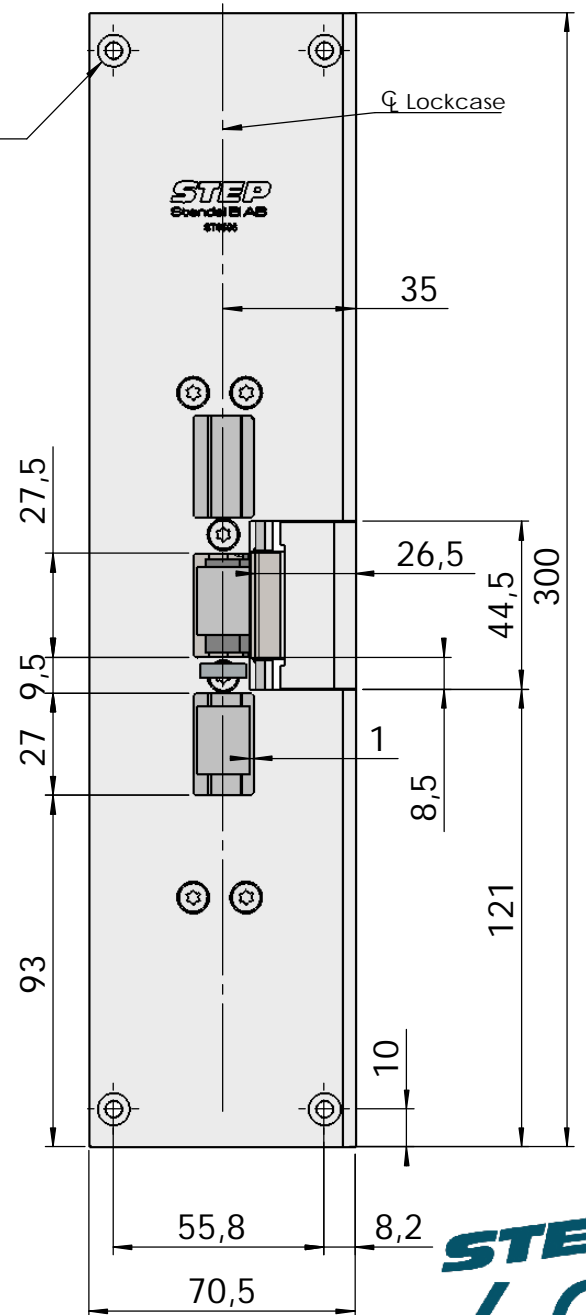


# Montering för Modul



4x M4

Lockcase



This document shall not be copied without owners written allowance and its content shall not be exposed for third part nor be used for unauthorized purpose.

Owner <b>Stendals EI AB</b>	Title/Description <b>Stolpe Step 60 Ersätter ST1886-A plös 26,5mm Montering för Modul</b> Drawing no. <b>ST6596</b> Scale <b>1:2</b>
--------------------------------	---