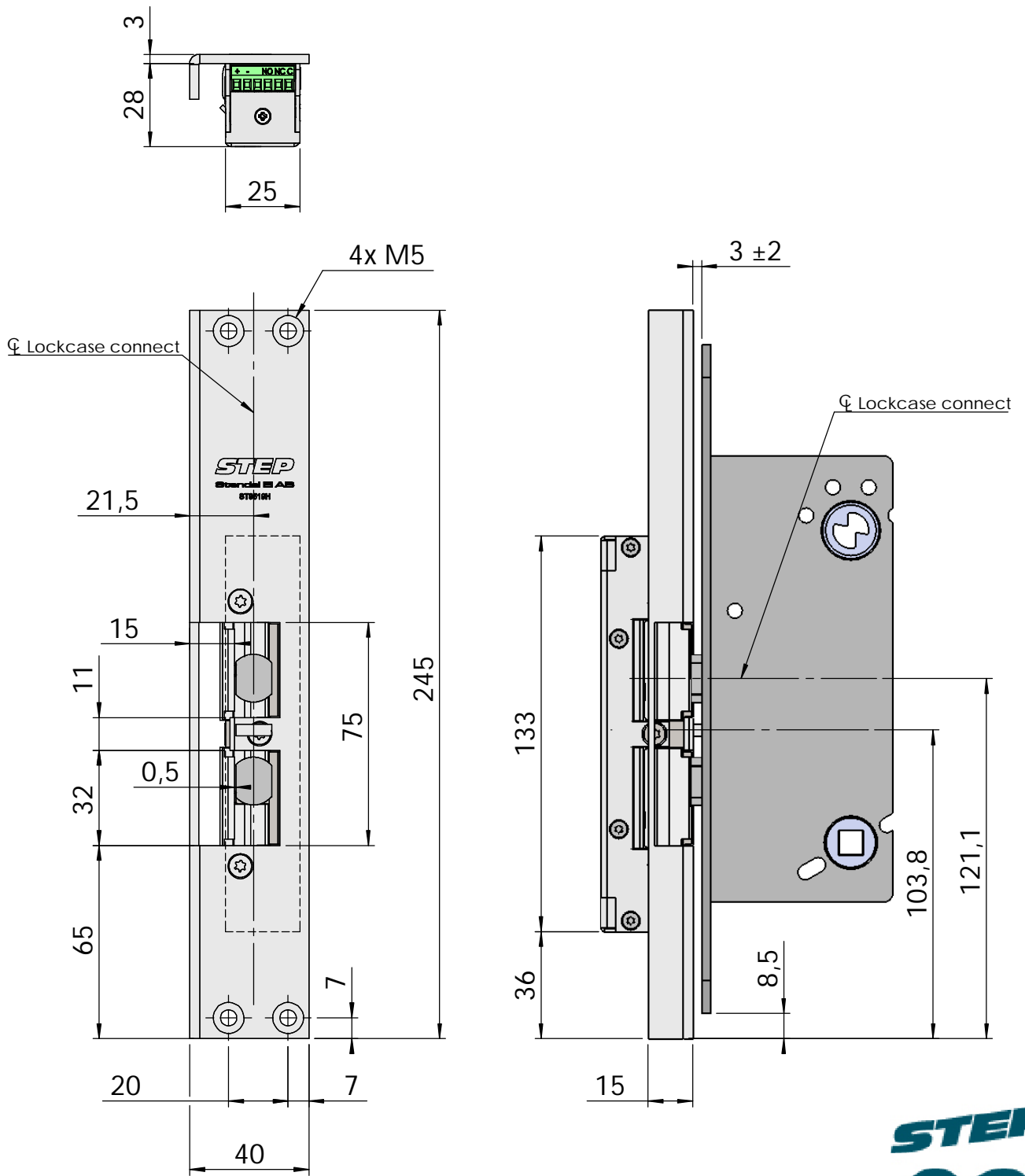




Montering för Connect



This document shall not be copied without owners written allowance and its content shall not be exposed for third part nor be used for unauthorized purpose.

Owner
Stendals EI AB

Title/Description
STEP 92 med vinklad stolpe plös 15mm
Montering för Connect

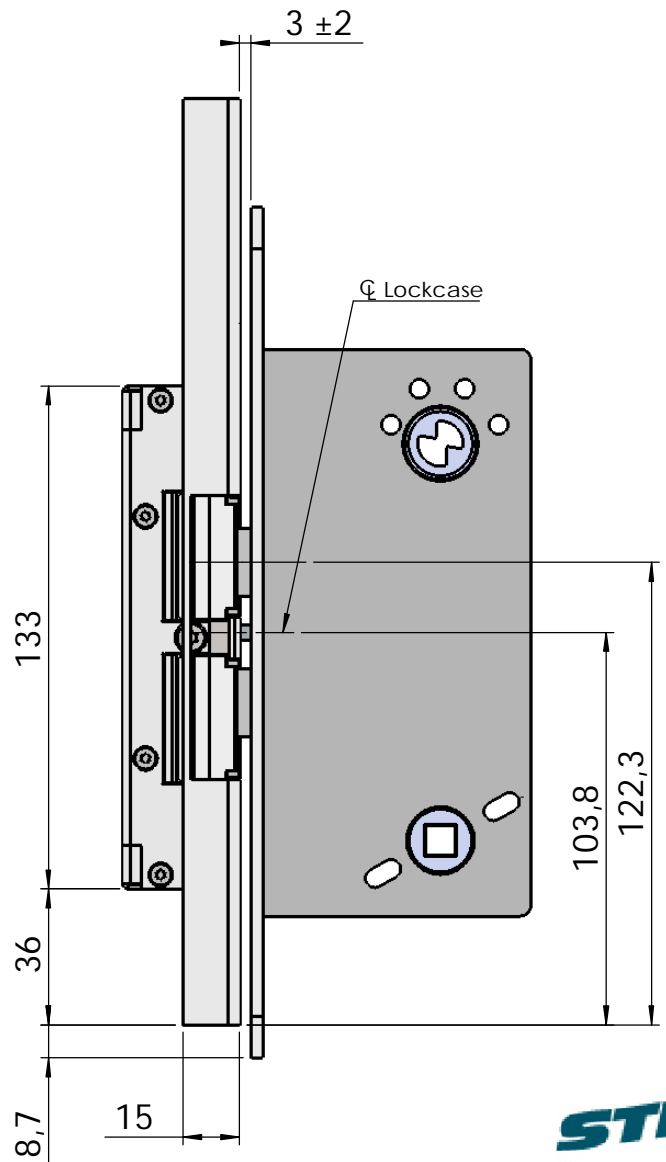
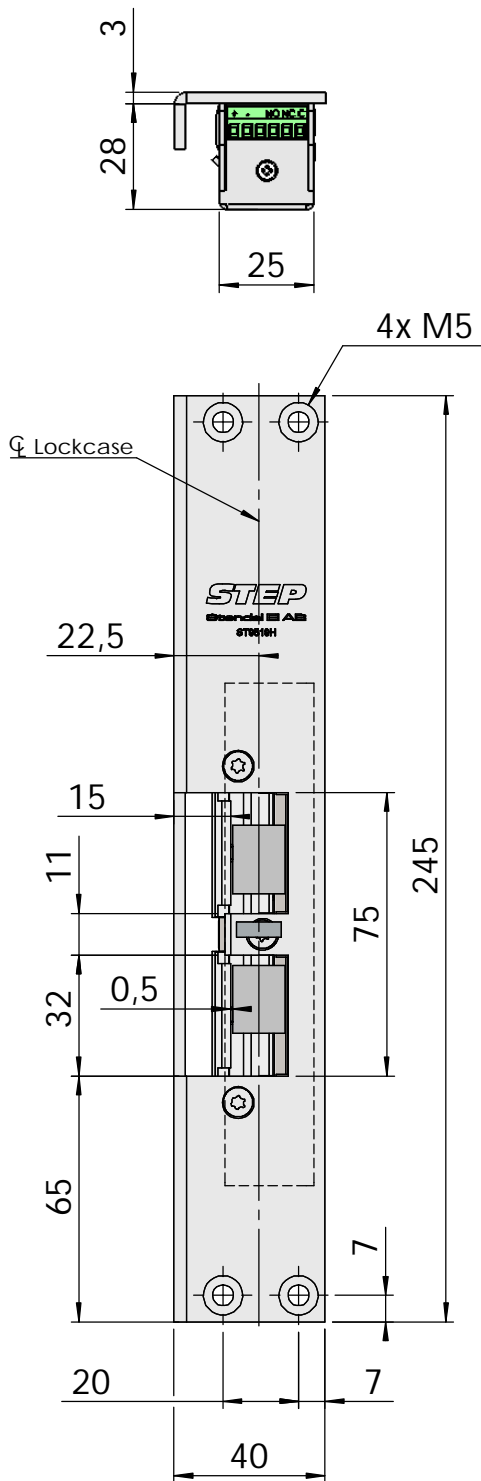
Drawing no. **ST9519H**

Scale
1:2





Montering för Modul



This document shall not be copied without owners written allowance and its content shall not be exposed for third part nor be used for unauthorized purpose.

Owner
Stendals EI AB

Title/Description
**STEP 92 med vinklad stolpe plös 15mm
Montering för Modul**

Drawing no. **ST9519H**

Scale
1:2