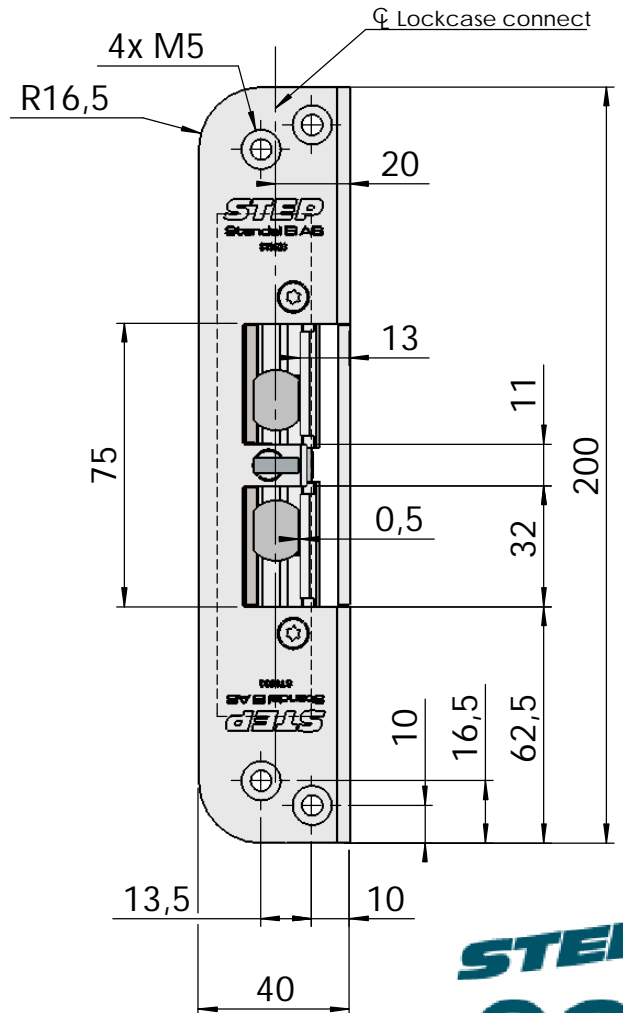
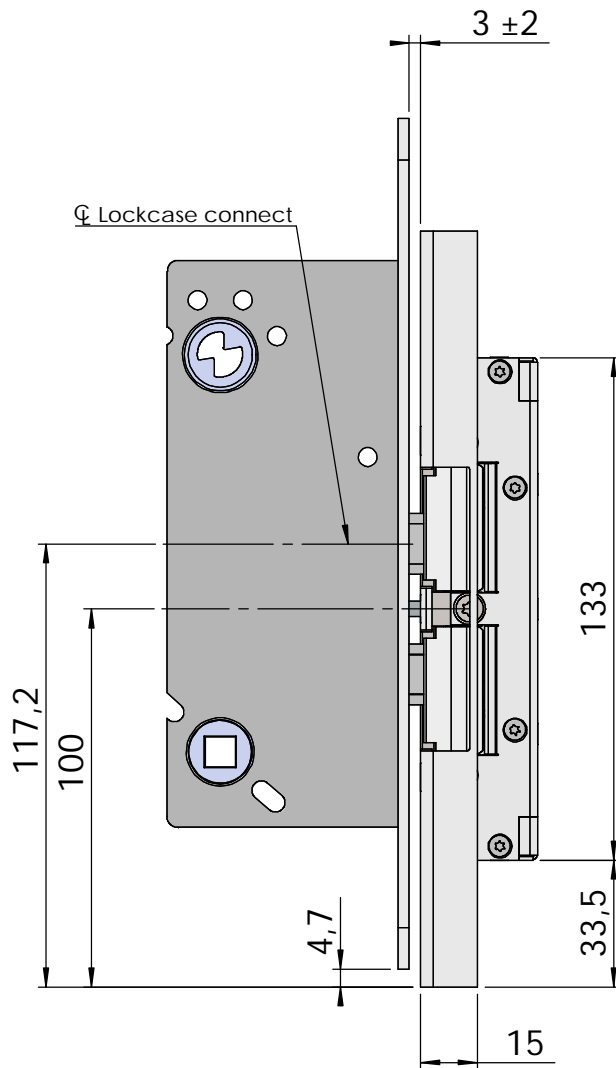
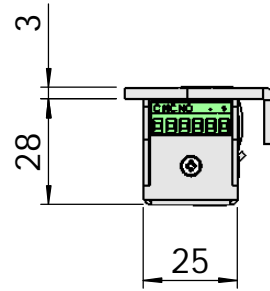




# Montering för Connect



This document shall not be copied without owners written allowance and its content shall not be exposed for third part nor be used for unauthorized purpose.

Owner

Stendals EI AB

Title/Description

STEP 92 med vinklad stolpe plös 13mm  
Montering för Connect

Drawing no.

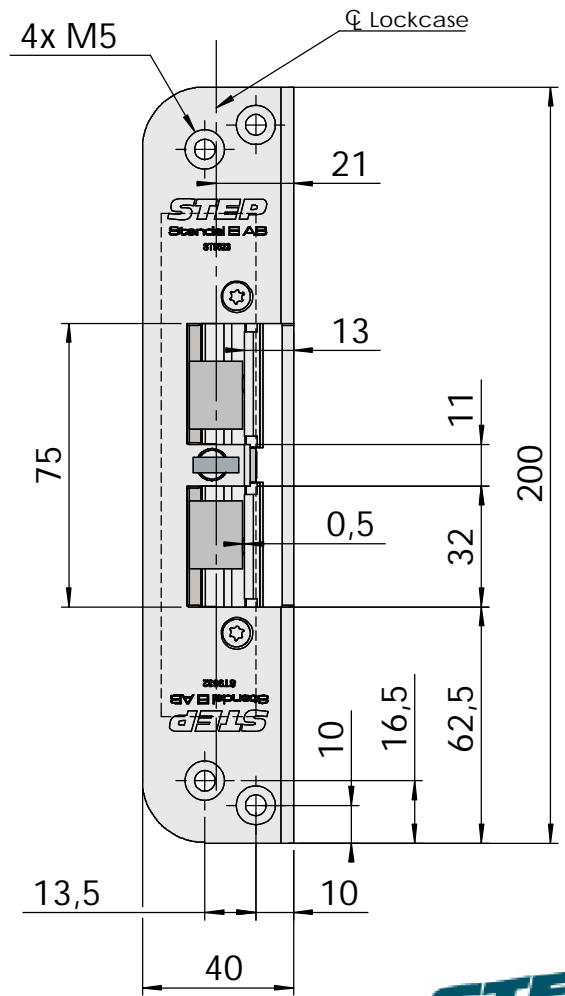
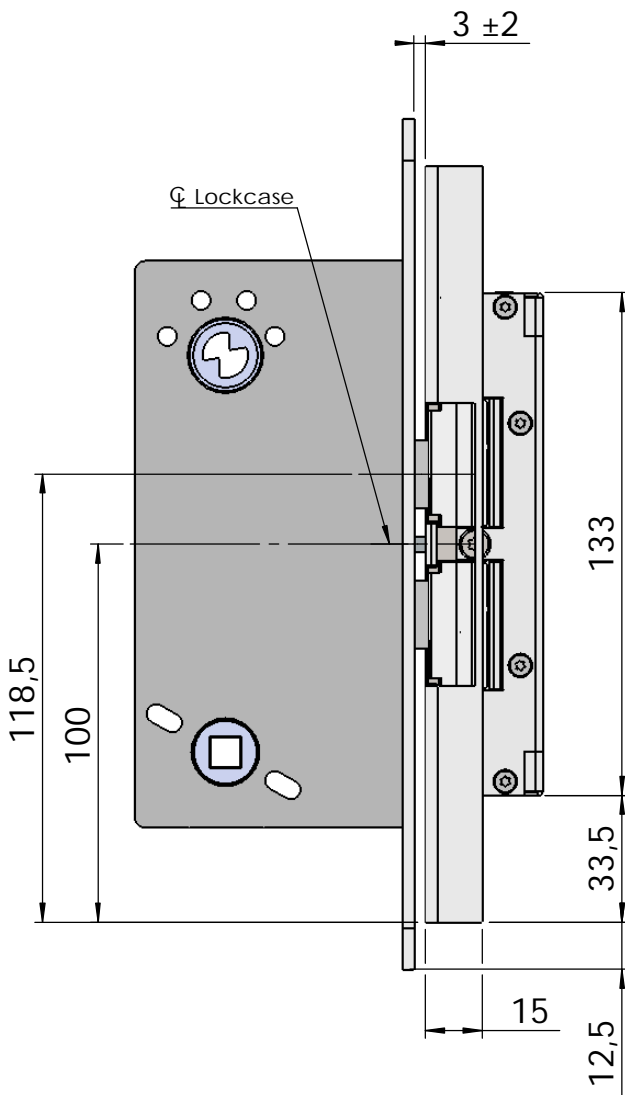
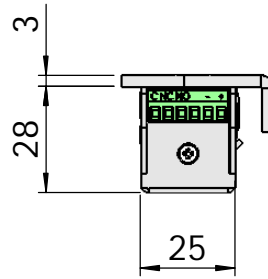
ST9523

Scale

1:2



# Montering för Modul



This document shall not be copied without owners written allowance and its content shall not be exposed for third part nor be used for unauthorized purpose.

Owner  
**Stendals EI AB**

Title/Description  
**STEP 92 med vinklad stolpe plös 13mm  
Montering för Modul**

Drawing no.  
**ST9523**

Scale  
**1:2**

