



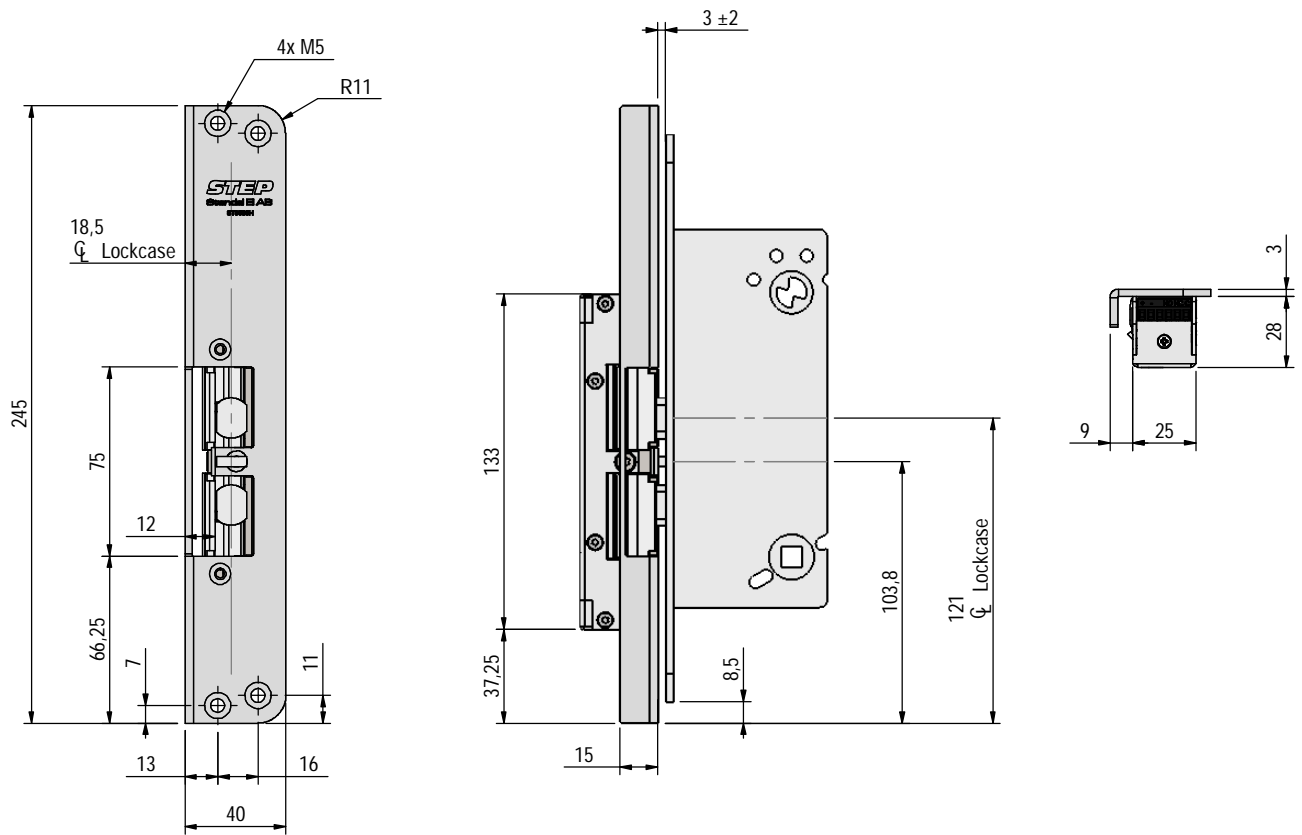
ST9536H

Angled faceplate 245x40x15 Right
Lip width 12 mm

Scale
1:3

STEP 92 Preload
STEP 92 Release

ASSA Connect



STEP 92 Preload
STEP 92 Release

ASSA Modular

