



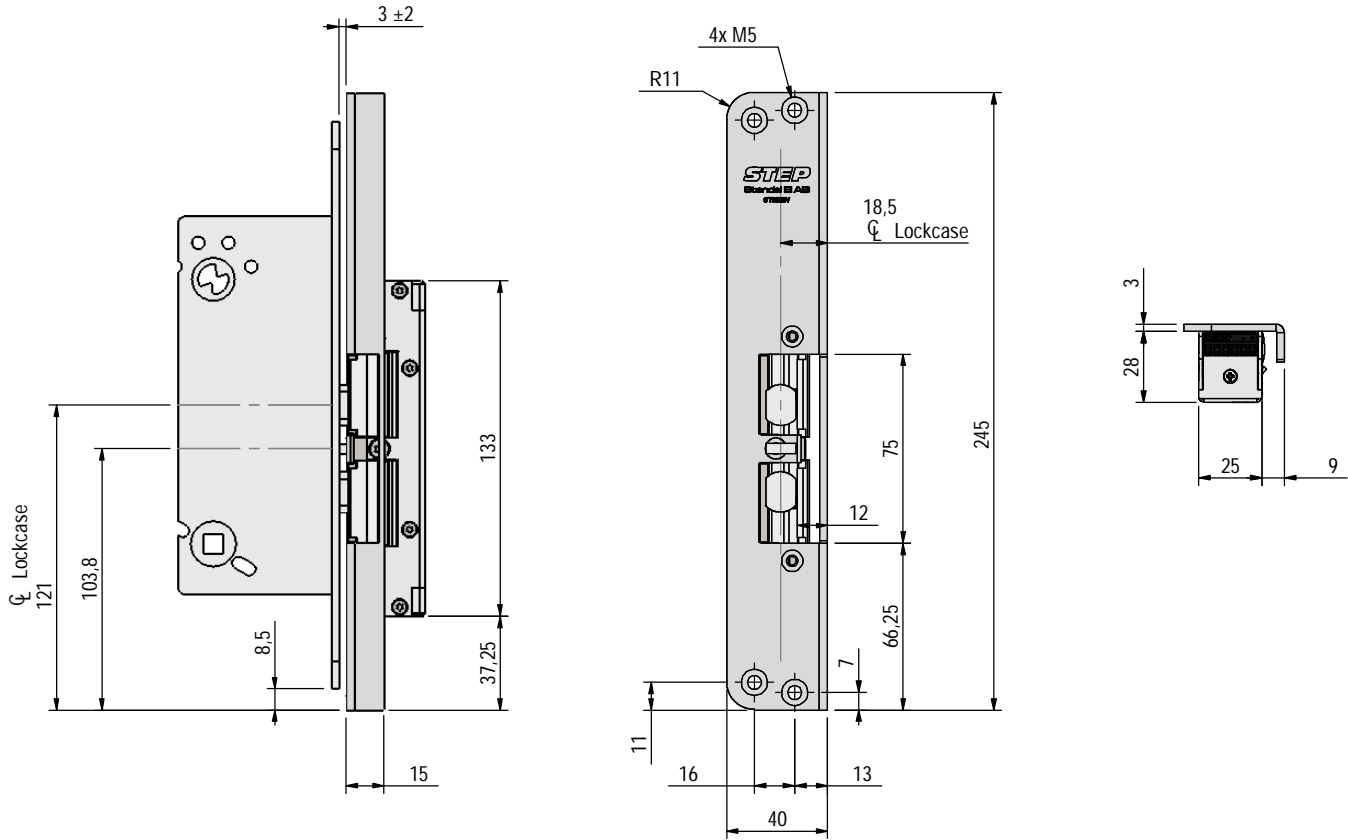
# ST9536V

Angled faceplate 245x40x15 Left  
Lip width 12 mm

Scale  
1:3

STEP 92 Preload  
STEP 92 Release

ASSA Connect



STEP 92 Preload  
STEP 92 Release

ASSA Modular

