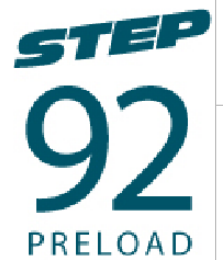
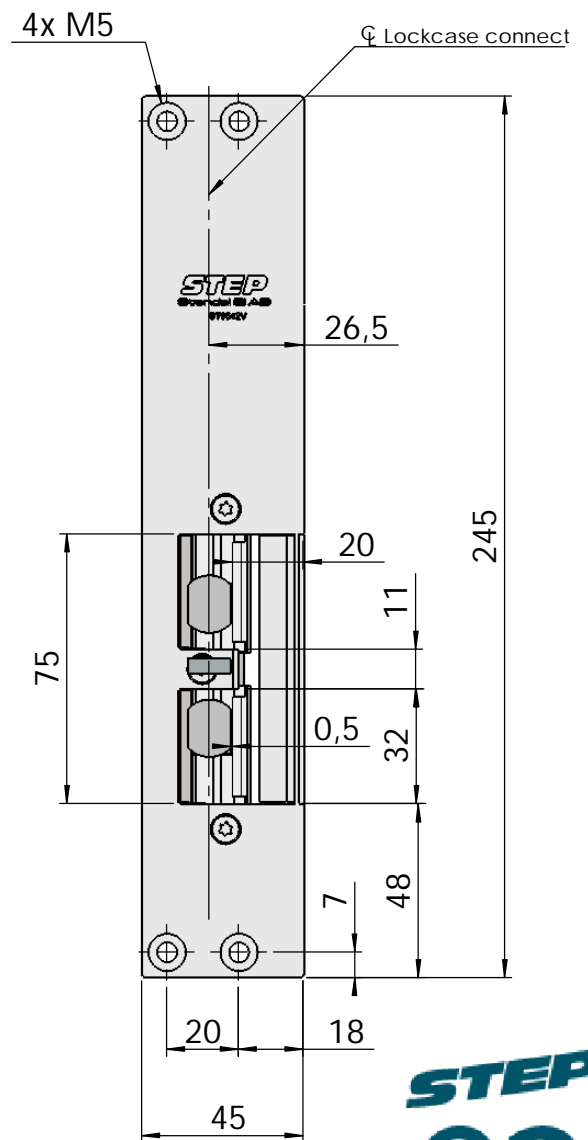
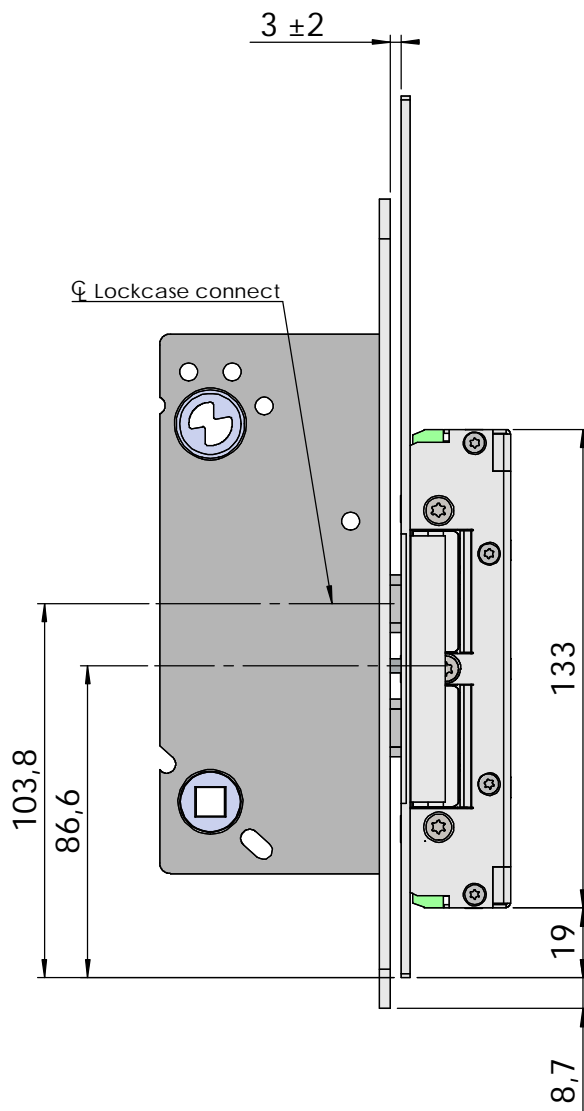
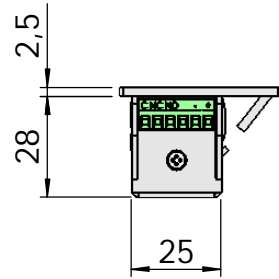




Montering för Connect



This document shall not be copied without owners written allowance and its content shall not be exposed for third part nor be used for unauthorized purpose.

Owner
Stendals EI AB

Title/Description
Ersätter ST9504V modul till connect
Montering för Connect

Drawing no.
ST9542V

Scale
1:2