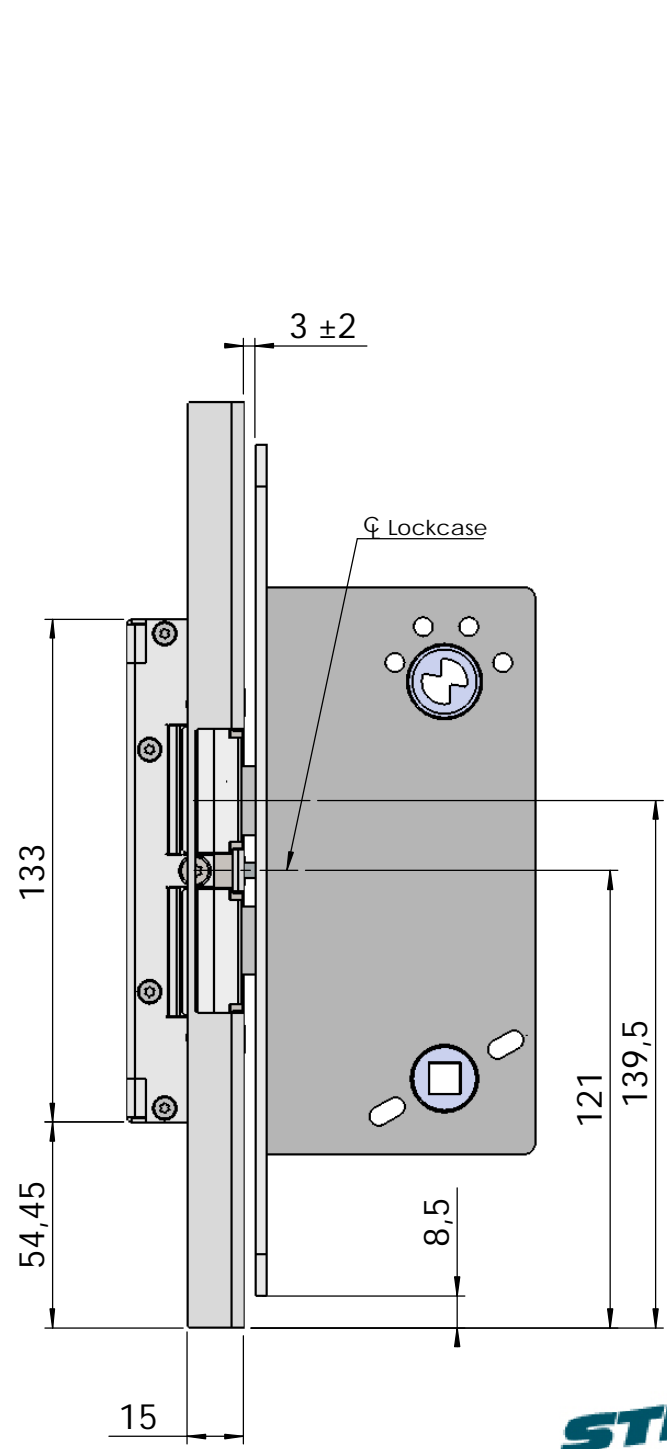
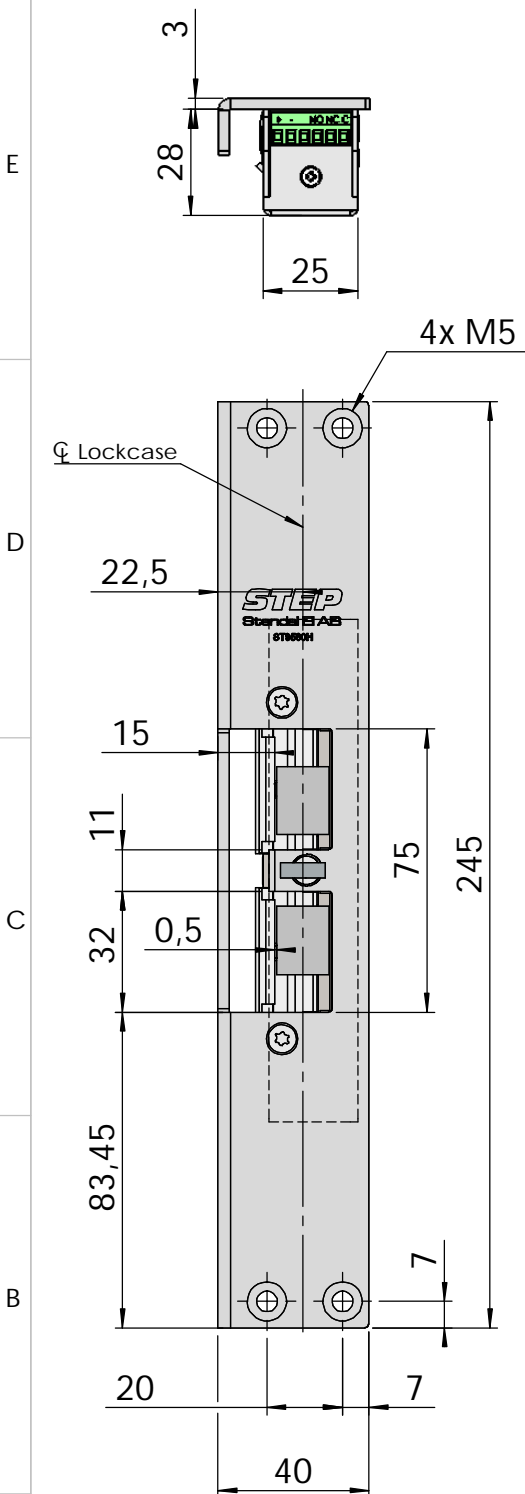




# Montering för Modul



This document shall not be copied without owners written allowance and its content shall not be exposed for third part nor be used for unauthorized purpose.

A Owner  
**Stendals EI AB**

Title/Description  
 Stolpe motsv ST9501H Connect till modul  
 Montering för Modul

Drawing no. **ST9560H**

Scale  
**1:2**

