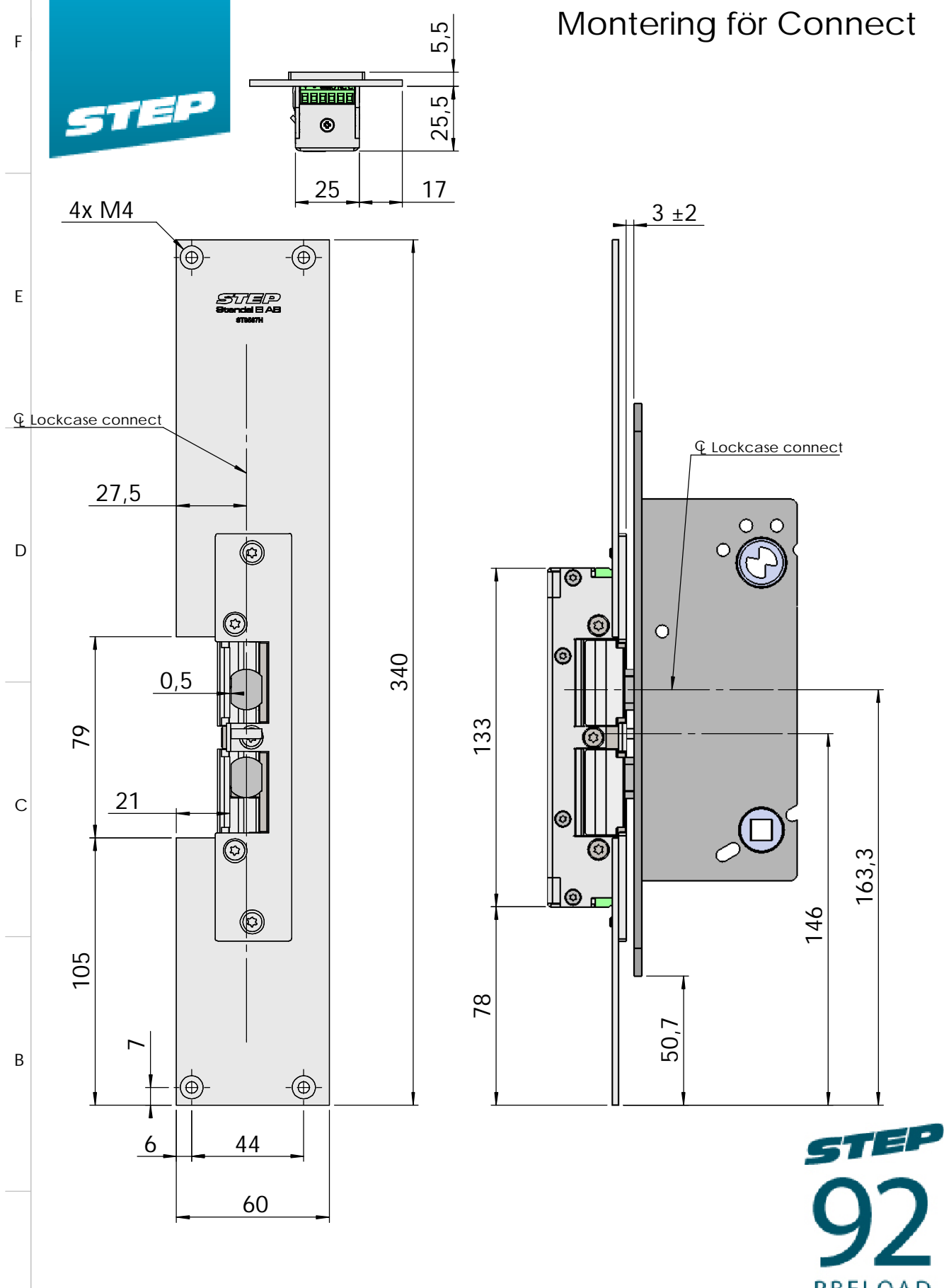


4 3 2 1



Montering för Connect



This document shall not be copied without owners written allowance and its content shall not be exposed for third part nor be used for unauthorized purpose.

<p>Owner</p> <h2>Stendals EI AB</h2>	<p>Title/Description</p> <h3>Stolpe för Step 92 Ersätter ST187-B Montering för Connect</h3>
	<p>Drawing no.</p> <h3>ST9587H</h3> <p>Scale</p> <h3>1:2</h3>

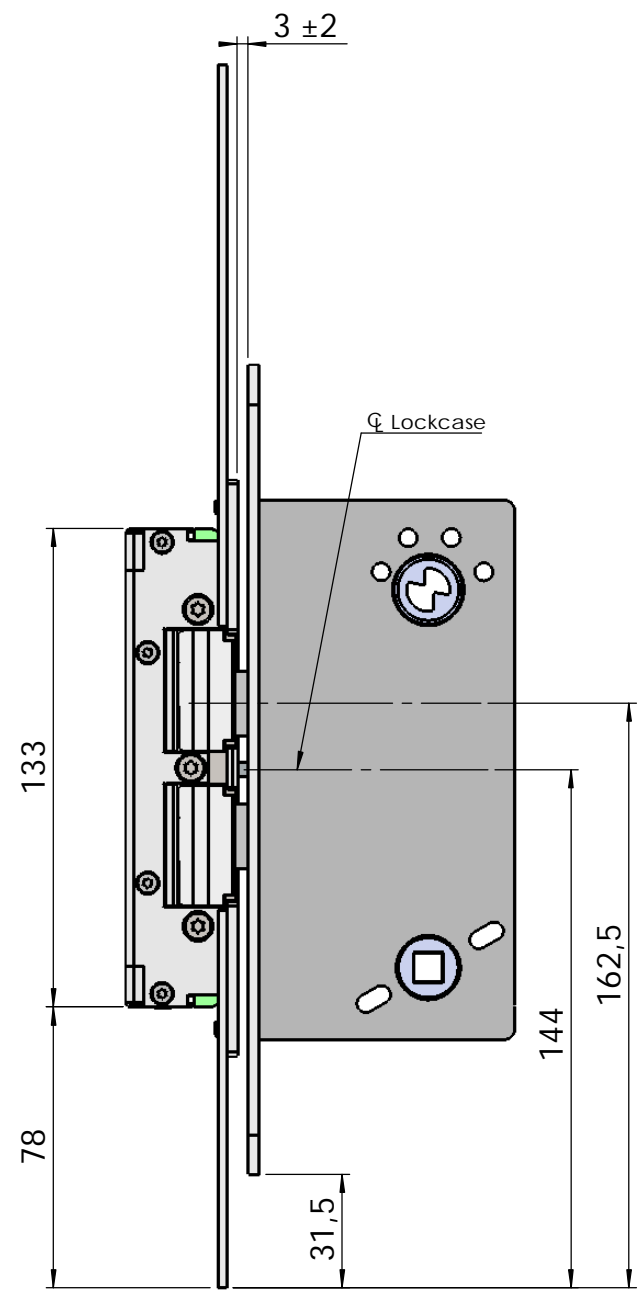
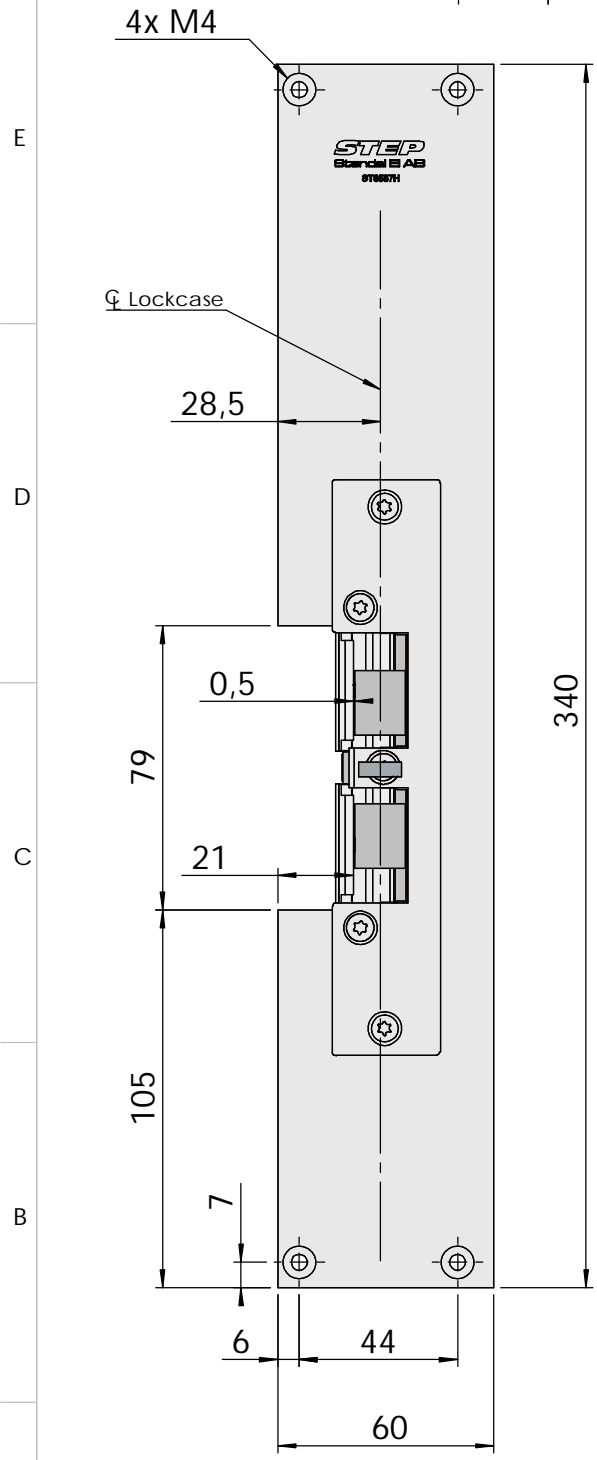
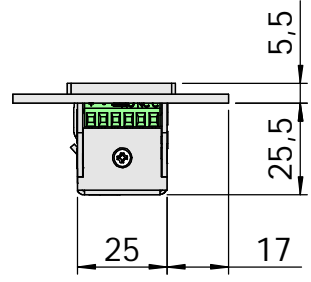


4 3 2 1

4 3 2 1



Montering för Modul



This document shall not be copied without owners written allowance and its content shall not be exposed for third part nor be used for unauthorized purpose.

<p>Owner</p> <p>Stendals EI AB</p>	<p>Title/Description</p> <p>Stolpe för Step 92 Ersätter ST187-B Montering för Modul</p>
	<p>Drawing no.</p> <p>ST9587H</p>
	<p>Scale</p> <p>1:2</p>



4 3 2 1