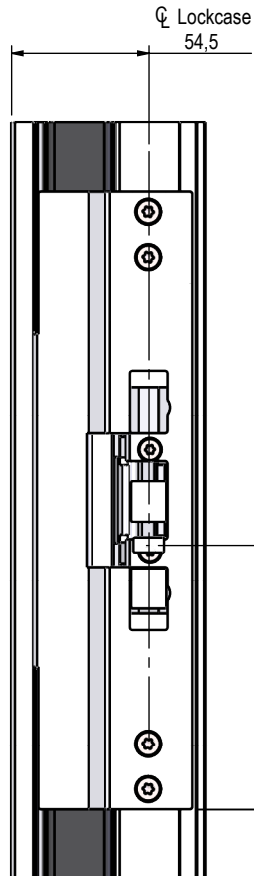
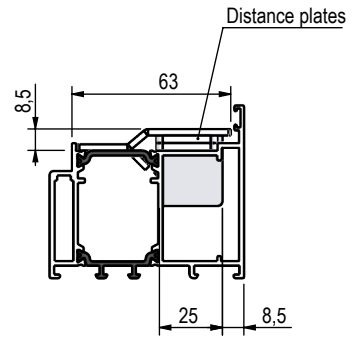
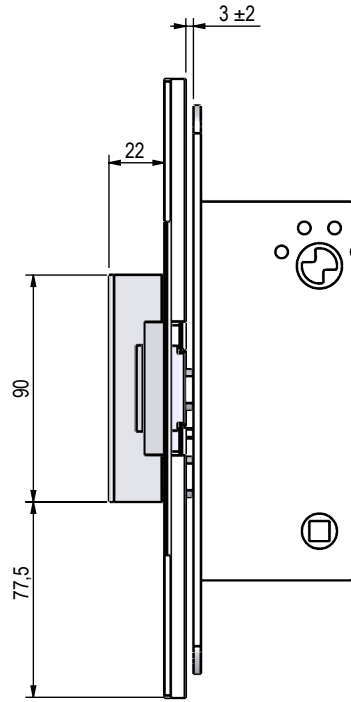
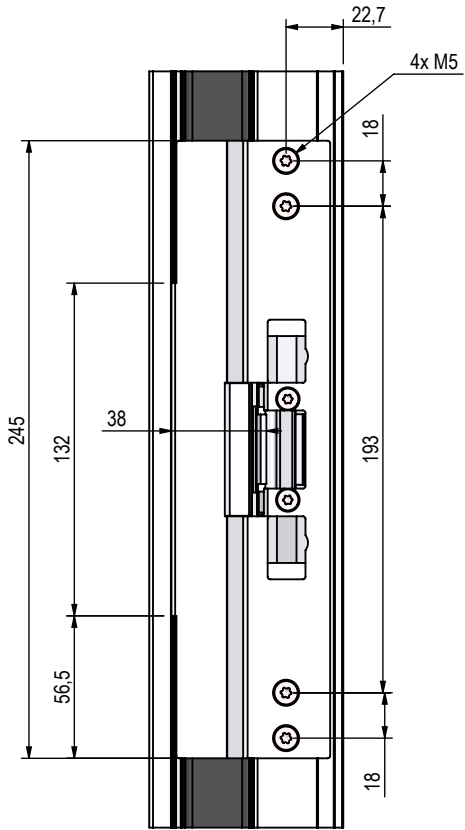


STEP 40 Preload  
STEP 90 Preload

STEP 48 Preload  
STEP 98 Preload

STEP 90 Release



Modern bolt placement

Classic bolt placement

