



# ST4863

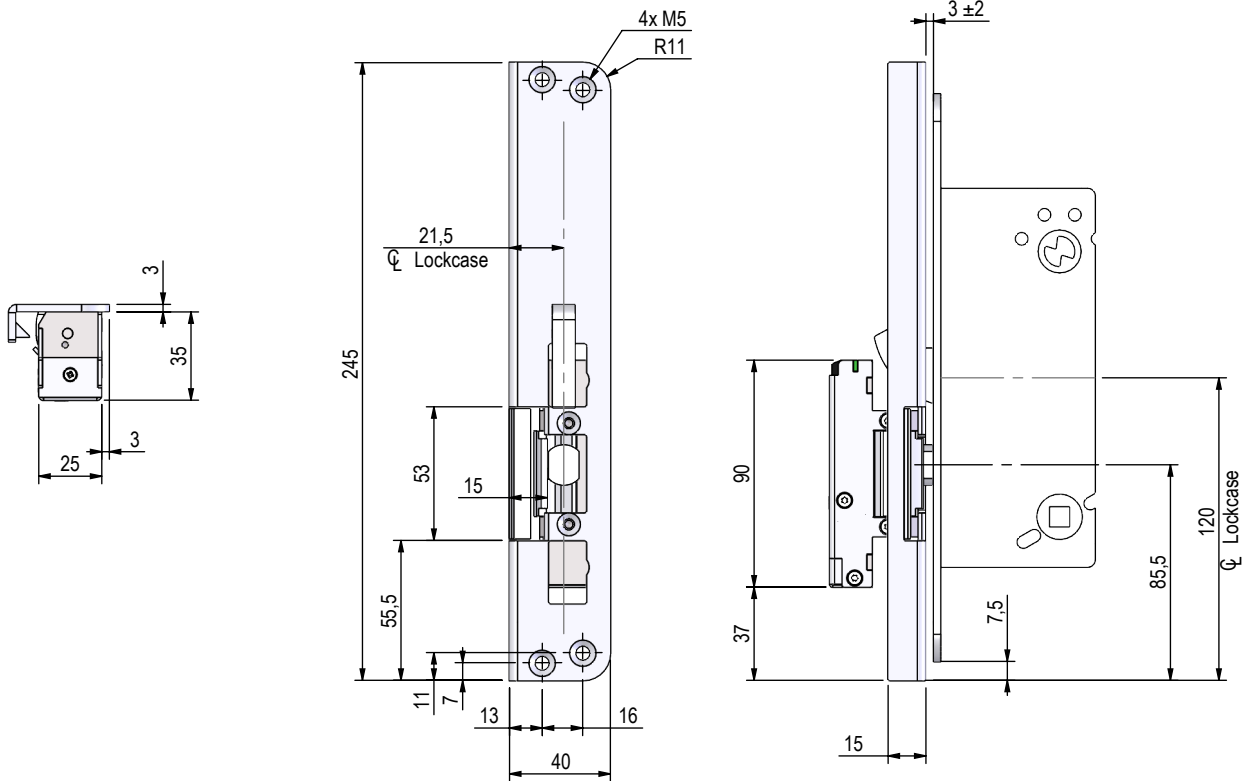
## Angled faceplate 245x40x15

### Lip width 15 mm

Scale  
1:3

STEP 48 Preload  
STEP 98 Preload

ASSA Connect



STEP 48 Preload  
STEP 98 Preload

ASSA Modular

