



Mechanical hook bolt lock case H50™

– with the absolute highest intrusion security

H50 is a mechanical hook bolt lock case with a modern bolt placement. It is certified for the highest burglary protection and is developed for door environments with the absolute highest requirements for intrusion security.

The hook bolt is extremely strong with a breaking strength of 56 kN (5,600 kg). This makes the lock very difficult to force and will ensure high security in your door environment.

- Certified for burglary protection in Class 5 according to SSF 3522.
- Certified for burglary protection in Class 7 according to EN 12209.
- Certified for fire resistance in Grade 1 (E/EI120) according to EN 12209.

Relevant for many types of door environments

H50 fits all types of security doors and perimeter protection doors that require an approved locking device, e.g. commercial, office or apartment doors.

Create an electrical solution

If you combine H50 with electric strike STEP 18 Secure or STEP 28E Secure, you can create a smooth passage with electric locking/unlocking. A perfect combination for, e.g. prisons, institutions, industries or office premises.

Available with or without microswitch

- Lock with microswitch has art.no. H50M.
- Lock without microswitch has art.no. H50.

Fine material choices

The hook bolt and latch bolt are made of hardened steel with a surface treatment of chemical nickel plating to achieve the highest quality and function. The lock case face plate is made of stainless steel.

When it has to work.



STEP H50

Technical data

Functional description

- The hook bolt locks/unlocks via cylinder position with 360° rotation from both the interior and exterior side (without so called "flip-up" function).
- The latch bolt retracts via the lever handle follower from both the interior and exterior side.
- The latch bolt is reversible to fit both right and left hung doors.

Certificates

- Certified for burglary protection in Class 5 according to SSF 3522.
- Certified for burglary protection in Class 7 according to EN 12209.
- Certified for fire resistance in Grade 1 (E/EI120) according to EN 12209.
- Certified for durability in Grade X according to EN 12209.
- Certified for corrosion and humidity in Grade G (which corresponds to very high requirements) according to EN 12209.

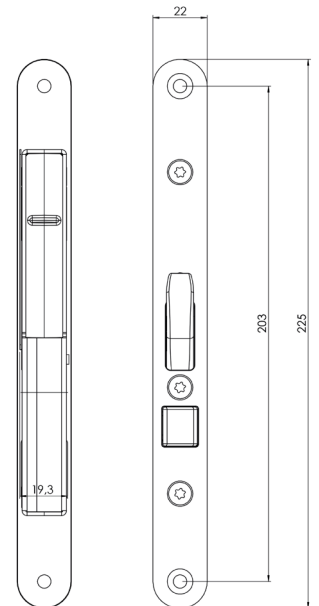
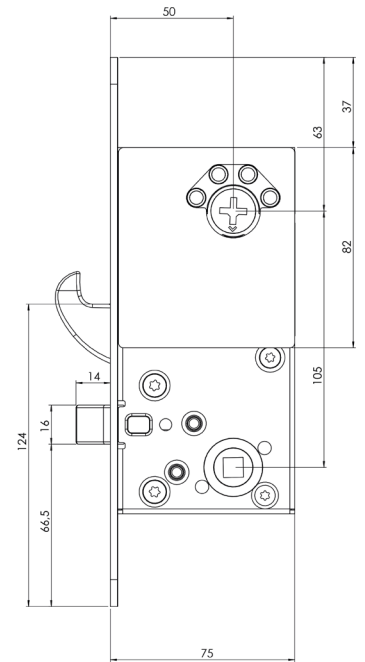
Product characteristics

- Modern bolt placement.
- Backset 50 mm.
- Reversible to fit both right and left hung doors.
- 56 kN (5 600 kg) breaking strength.
- For round and oval Scandinavian cylinders.
- Lock case face plate in stainless steel.
- Hook bolt and latch bolt in hardened steel with a surface treatment of chemical nickel plating.
- Available with or without micro indicator.
- Microswitch unipolar changeover, max. 30 V DC, 1A.
- Combine with electric strike STEP 18 Secure (12 mm) or STEP 28E Secure (12 mm) to create an electric locking/unlocking solution.
- If using thumb turn, a magnetic thumb turn must be used.
- Unsurpassed quality.
- Developed and produced in Västerås, Sweden.
- Patent pending.

Environment

- The lock can withstand temperatures from -20 to +70 degrees.

Art.no	Description
H50	H50 Mechanical hook bolt lock case. With hook bolt and latch bolt.
H50M	H50 Mechanical hook bolt lock case. With hook bolt, latch bolt and microswitch.
H50M-C	H50 Mechanical hook bolt lock case. With hook bolt, latch bolt and microswitch. Incl. 10 m connection cable ST0119.



Dimensional drawing for H50.